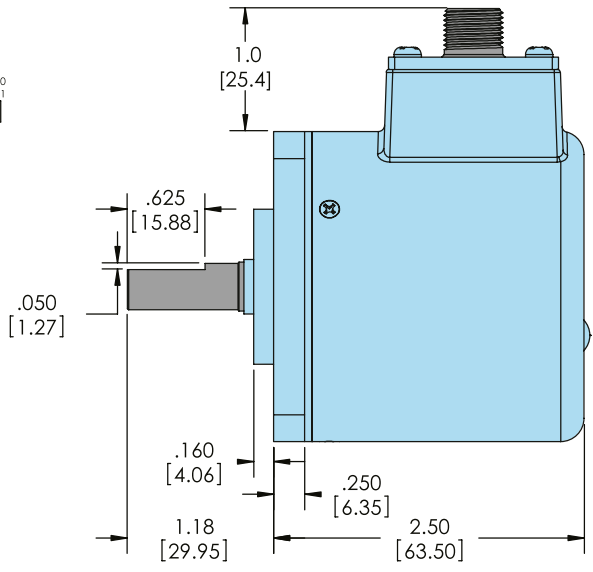
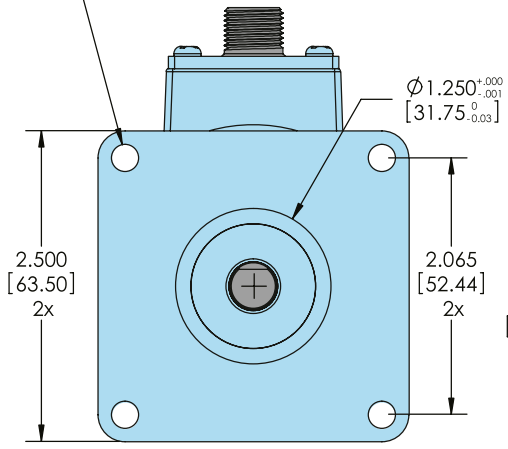
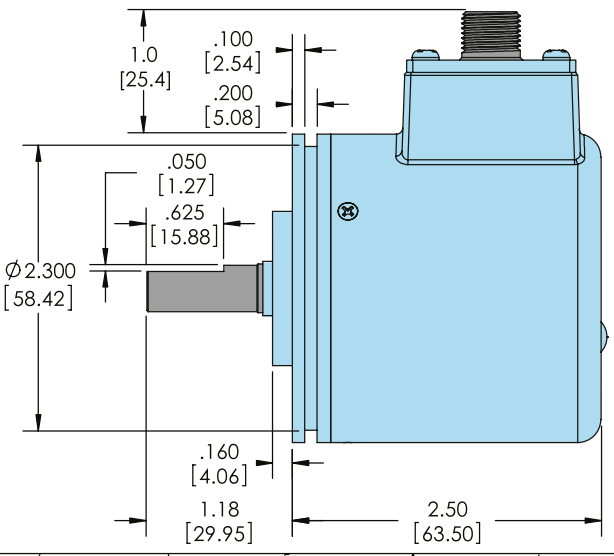
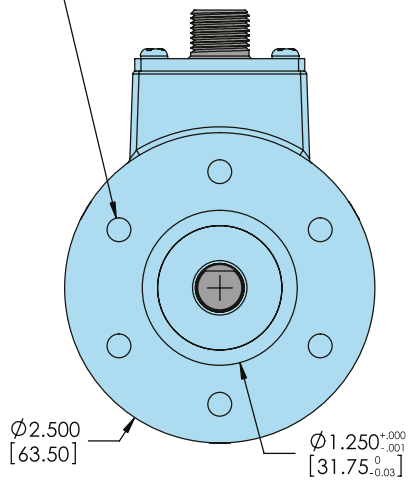


REVISIONS			
REV.	DESCRIPTION	APPR	DATE
-	INITIAL RELEASE	06394	9/11/12
A	MODEL NAME CHANGE	07578	02/21/19
B	ADD DIA DIMENSION	07938	2/16/2021

$\phi .220$ [5.59] THRU
4x90° $\phi 2.920$ [74.17] B.C.



10-32 UNF 0.35 [8.9] DEEP
6x60° $\phi 1.875$ [47.63] B.C.



NOTE:

Primary dimensions are in inches, secondary dimensions are in [mm] in brackets for reference only.

THIRD ANGLE PROJECTION		ENCODER PRODUCTS COMPANY		www.encoder.com	
APPROVALS		DATE		NAME AND TITLE	
DRAWN: TRH		6/21/12		MODEL A25SB HUB	
DIMENSIONS ARE IN INCHES		CHECKED		DWG. NO. A25SB	
ISSUE DATE: 9/11/12	TOLERANCES: ± .005	RESP ENG		REV. B	
NEXT ASSEM.	DECIMAL: ± .01	MFG ENG			
PREV. ASSEM.	ANGULAR: ± 1	QUAL ENG		SCALE: NONE	DWG. SIZE: B
PART NUMBER					SHEET 1 OF 1