

# RXTX/D Receiver-Transmitter Unit Versatile Encoder Interface



## Features

- DIN Rail Mount.
- Level Changes from Vcc to 5V.
- Signal Conditioner, or Repeater for Distance Transmission.
- 2 or 3 Way Splitter/Level Changer.
- Encoder Tester/Verifier.

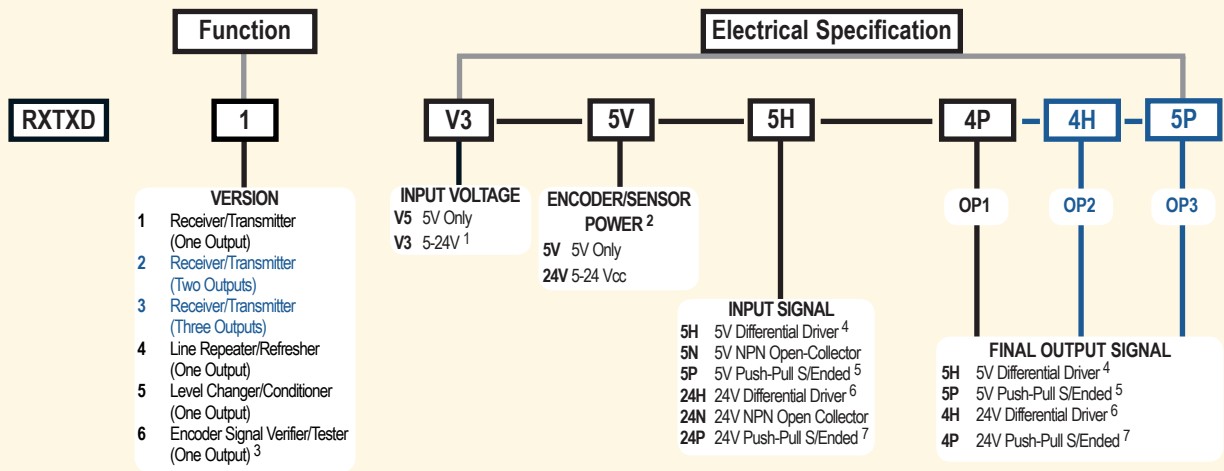
This lightweight DIN rail mountable unit, Line Driver and Line Receiver, comes in a stylish green PC/ABS self-extinguishing material blend. Configurable as a level changer, line repeater, splitter or encoder tester. The RXTXD will accept TTL, RS422, RS485, PP, NPN, NPN OC, or, PNP encoder inputs at 5V, or HTL, PP, NPN, NPN OC & PNP at 6-28V. It will provide up to 3 outputs in any combination of TTL, RS422, RS485, PP, NPN or PNP, at 5V, or, HTL, PP, NPN or PNP, at 6-28V. A series of LEDs on the front panel indicates power and signal presence. Connections are made via the easily accessible screw terminals as standard. This device may be used as both a Line Driver and Line Receiver.

## Specifications

Input Voltage .....6V to 28V Max  
 Current Consumption .....250 mA Typical  
 Repeater Output Voltage.....5V or Vcc  
 Frequency Response .....Up to 800 KHz  
 Weight .....250g  
 Enclosure.....PC/ABS, IP20  
 Terminal.....Screw Type 30/12 AWG

## RXTXD Ordering Guide

Blue type indicates price adder options. Not all configuration combinations may be available. Contact Customer Service for details.



For specification assistance call  
Customer Service at  
**+44 (0)1978 262100**

### NOTES:

- 1 28V Maximum Voltage.
- 2 Encoder/Sensor and output signal voltages are limited to the input voltage supplied.
- 3 To be used in series with encoder.
- 4 TTL, RS422 & RS485 Compatible.
- 5 TTL, NPN (Sink), PNP (Source), PP.
- 6 HTL Compatible
- 7 NPN (Sink), PNP (Source), PP

Accessories

# RXTX/D Receiver-Transmitter Unit Versatile Encoder Interface



## RXTXD Specifications

### Electrical

Input Voltage .....5V to 24V Max  
 Current Consumption .....250 mA Typical  
 Repeater Output Voltage.....5V or Vcc  
 Frequency Response .....Up to 800 KHz

### Mechanical

Weight .....250 grams  
 Enclosure .....PC/ABS, IP20  
 Terminal.....Screw Type 30/12 AWG

### Definitions

Version .....Number of complete sets of output channels  
 Input Voltage .....The voltage supplied to the RX/TXD. The input voltage sets the maximum voltage the RX/TXD can supply the Encoder/sensor and maximum voltage of the output signals.  
 Encoder/Sensor Power.....The voltage supplied by the RX/TXD to the encoder/sensor.  
 Input Signal .....The signal voltage level from the encoder/sensor to the RX/TXD.  
 Final Output Signal.....The Signal voltage level from the RX/TXD to the receiving device.

Example: If the input voltage is V3, Encoder/sensors power is 24V. Output 1 is 4H, Output 2 is 5H.

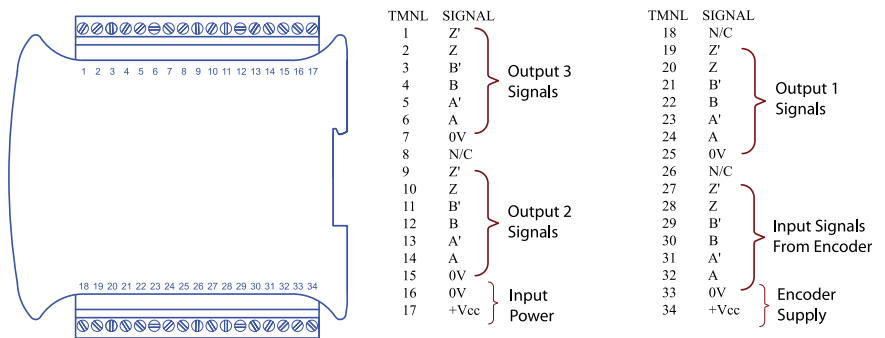
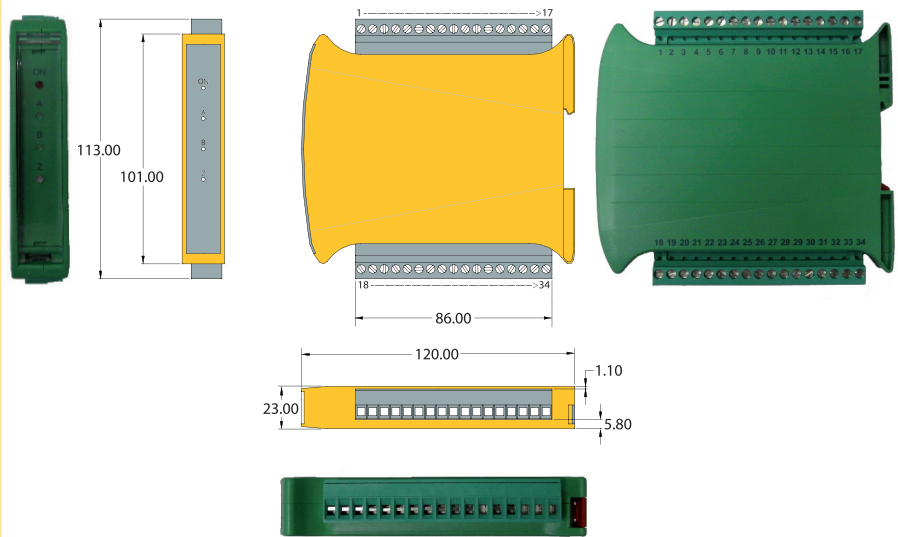
### Set input voltage to 24V

Encoder/sensor power = 24V  
 Output 1 = 24V  
 Output 2 = 5V

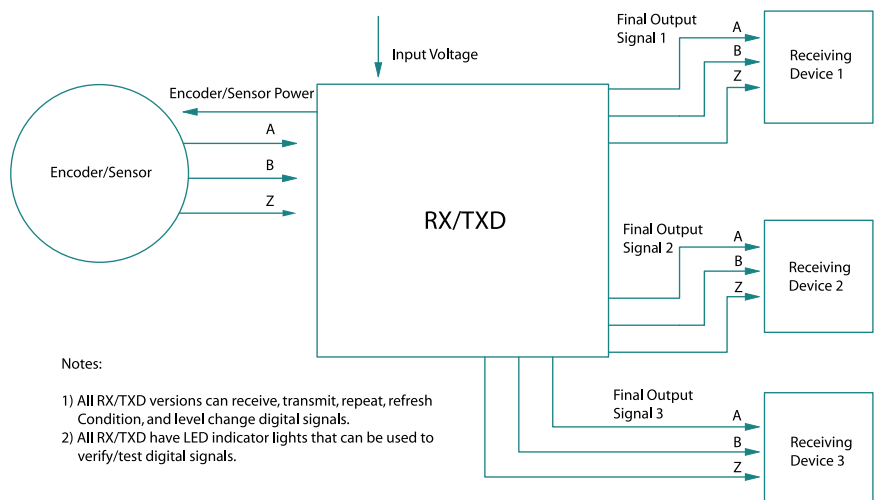
### Set input voltage to 12V

Encoder/sensor power = 12V  
 Output 1 = 12V  
 Output 2 = 5V

## RX/TXD Receiver-Transmitter



All inputs and outputs may not be present, depending on the RX/TXD version.



### Notes:

- 1) All RX/TXD versions can receive, transmit, repeat, refresh Condition, and level change digital signals.
- 2) All RX/TXD have LED indicator lights that can be used to verify/test digital signals.

Accessories