

Model 25SP - Programmable Incremental Shaft Encoder



Ø63.50 mm

Features

- Industry Standard Size 25 Package (63.5mm x 63.5mm)
- Fully Programmable with Optional USB Module or Factory Configured
- Optical Technology for High Accuracy
- Resolutions from 1 to 65,536 PPR (262,144 quadrature counts)
- Servo and Flange Mounting
- IP67 Sealing Available

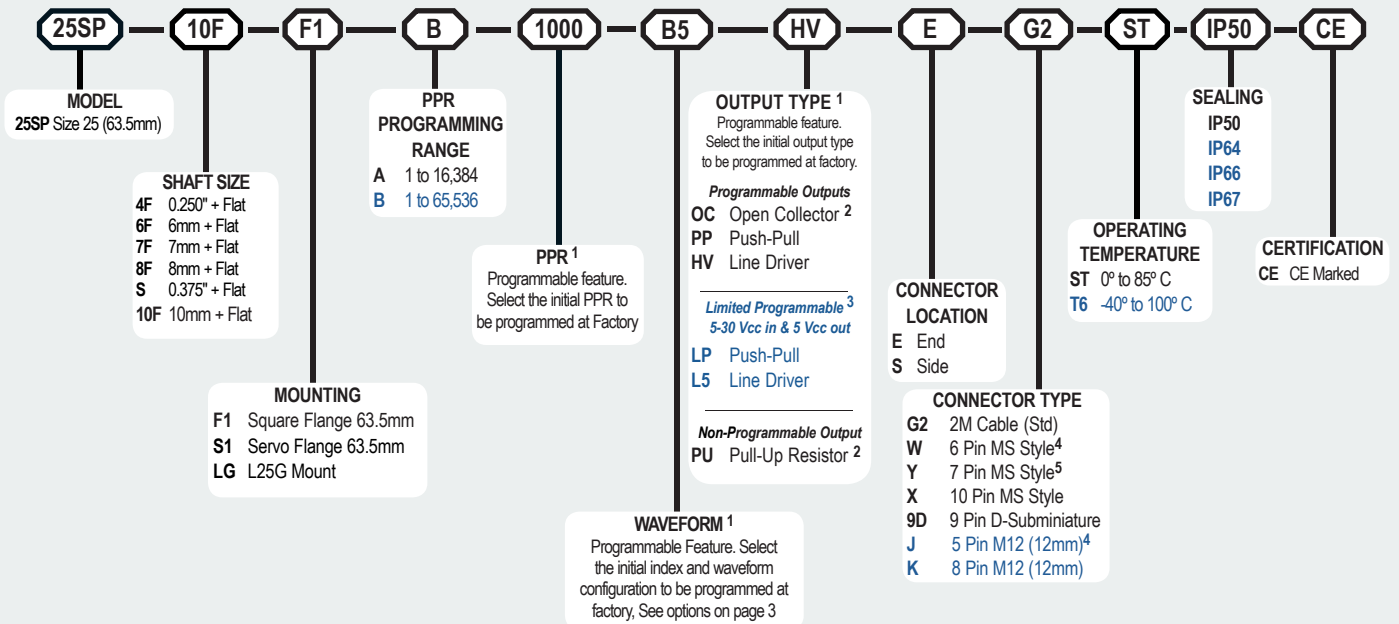
The Model 25SP Programmable Size 25 shaft encoder is specifically designed for the challenges of an industrial environment. Contained within the rugged, industrial housing is an advanced set of electronics that allow the encoder to be programmed to your exact application needs. Using BEPC's optional programming module, users may select the output type, 32 different waveforms, and any resolution from 1 to 65,536 PPR – that's 262,144 counts using 4x quadrature counting. These programming features allow a single encoder to be configured for multiple applications, enabling one encoder to replace many different part numbers – and that provides cost savings on inventory and down-time replacement. The 25SP can also be configured and shipped with specs pre-programmed, with no on-site programming needed. The Model 25SP comes standard with dual bearings rated 36Kg axial or radial, and may be specified with up to IP67 sealing.

Common Applications

Motion Control Feedback, Conveyors, Elevator Controls, Machine Control, Food Processing, Process Control, Robotics, Material Handling, Textile Machines

Model 25SP Ordering Guide

Blue type indicates price adder options. Not all configuration combinations may be available. Contact Customer Service for details.



For specification assistance call Customer Service at +44 (0)1978 262100

NOTES:

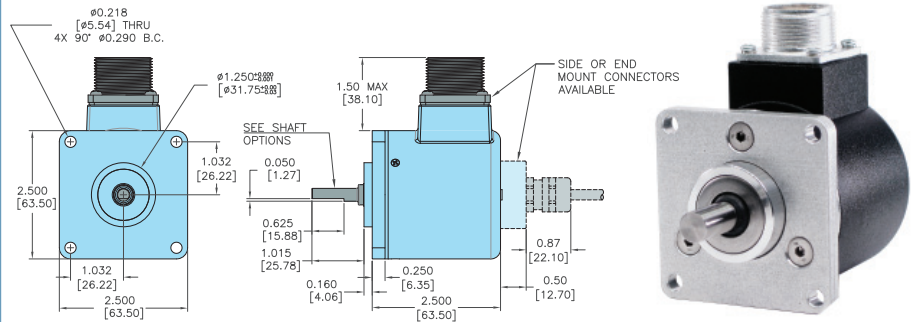
- 1 Programmable feature using Field Programming Software, USB Programming Module, and Interface Cable (Page 109)
- 2 Open Collector (OC) and Pull-Up Resistor (PU) outputs not recommended for PPR > 8192 and/or frequencies > 150 KHz.
- 3 If ordered with initial output type of either H5 or P5, encoder cannot be programmed to OC, PP or HV output types.
- 4 6-Pin MS and 5-Pin M12 Connectors only available with Pull-Up, Open Collector and Push-Pull output types.
- 5 7-Pin MS Connector does not provide Marker Pulse Z when selected output is Line Driver (HV or L5)

Model 25SP - Programmable Incremental Shaft Encoder

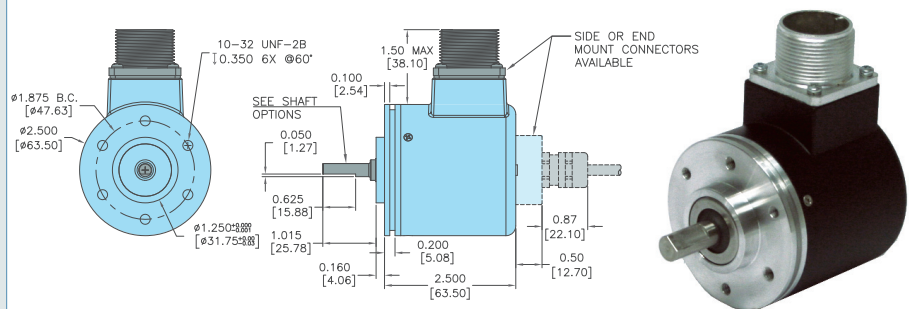
Model 25SP Specifications

Electrical	
Input Voltage.....	4.75 to 30 Vcc max. See Output Types for limitations
Input Current.....	100 mA max with no output load (65 mA typical)
Output Format.....	Incremental, Programmable. See Waveforms on page 3 for options.
Output Types.....	Line Driver* (HV) – 20 mA max per channel, max freq 1.0 MHz, 5 Vcc max at 100° C or 24 VDC max at 85° C. Line Driver* (L5) – 5-30 Vcc in/5 Vcc out, 20 mA max per channel, max freq 2.7 MHz, 5 VDC max at 100° C. Push-Pull (PP) – 20 mA max per channel, max frequency 1.0 MHz, 5 Vcc max at 100° C or 24 Vcc max at 85° C. Push-Pull (LP) – 5-30 Vcc in/5 Vcc out, 20 mA max per channel, max frequency 2.7 MHz, 5 Vcc max at 100° C. Open Collector (OC) – 100 mA max per channel, 200 KHz max freq recommended Pull-Up (PU) – 2.2K ohm internal resistors, 100 mA max per channel, 150 KHz max freq recommended, max temp 85° C at > 24 Vcc *Meets RS 422 at 5 Vcc supply
Index.....	Once per revolution, programmable. BEPC standard is 180° gated to output A (waveform B5). See Waveform Diagrams for additional options.
Index Teach.....	Index location adjustable via programming interface.
Max Frequency.....	2.7 MHz subject to RPM restrictions for high resolution (PPR): 5000 RPM max for PPR 16385 to 32768 and 2500 RPM max for PPR 32769 to 65536 NOTE: Use 5 Vcc Line Driver (L5 or HV output type) to obtain high frequencies.
Electrical Protection.....	Overvoltage, reverse voltage, and output short circuit protected. NOTE: Sustained over or reverse voltage may result in permanent damage.
Min Edge Sep.....	1 to 16384 PPR: 36° electrical min, 63° or better typical 16385 to 65536 PPR: 20° electrical min, 36° or better typical
Rise Time.....	Less than 1 microsecond
Accuracy.....	Better than 0.013° or 47 arc-sec from true position
Diagnostic.....	LED located on encoder housing and error report available via programming Interface.
Mechanical	
Max Shaft Speed.....	8000 RPM. Higher shaft speeds may be achievable, contact Customer Service.
Shaft Material.....	303 Stainless Steel
Shaft Rotation.....	Bi-directional
Radial Shaft Load.....	36 Kg max. Rated load of 9 to 18 Kg for rated life of 1.5x10 ⁹ revs
Axial Shaft Load.....	36 Kg max. Rated load of 9 to 18 Kg for rated life of 1.5x10 ⁹ revs
Starting Torque.....	7.0615 X 10 ⁻³ Nm typical with IP64 seal or no seal 2.118 X 10 ⁻² Nm typical with IP66 shaft seal 4.943 X 10 ⁻² Nm typical with IP67 shaft seal
Housing.....	Black non-corrosive finish
Bearings.....	Precision ABEC ball bearings
Weight.....	566 grams typical
Environmental	
Operating Temp.....	-20° to 85° C for standard models -40° to 100° C for extended temp option
Humidity.....	95% RH non-condensing
Vibration.....	20 g @ 5 to 2000 Hz
Shock.....	80 g @ 11 ms duration
Sealing.....	IP50 standard; IP64, IP66 or IP67 optional

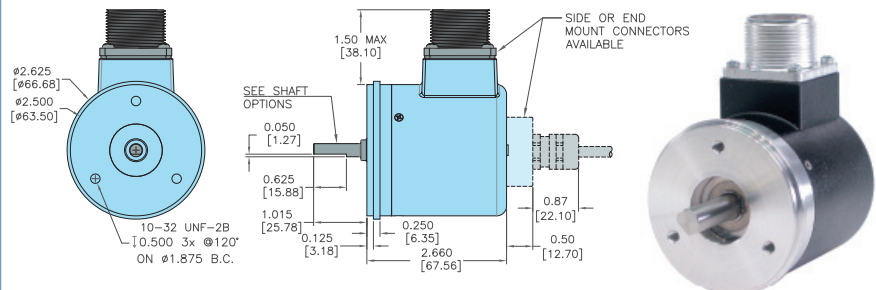
Model 25SP Flange Mount (F1)



Model 25SP 63.5mm Servo Mount (S1)



Model 25SP 66.54mm Servo Mount (LG)



All dimensions are in Imperial & Metric with a tolerance of 0.005" (±0.127mm) or 0.01" (±0.254) unless otherwise specified

ENCODER WIRING TABLE

(For BEPC-supplied mating cables, wiring table is provided with cable.)

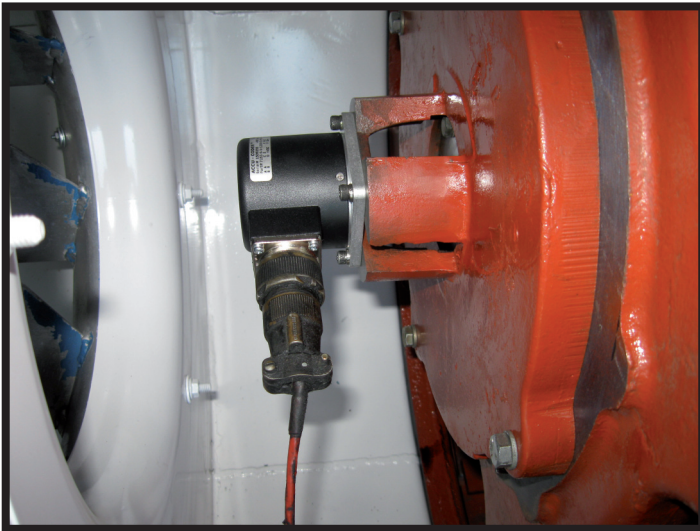
Function	Gland Cable† Wire Color	5-pin M12**	8-pin M12**	10-pin MS	7-pin MS HV,L5	7-pin MS PU,PP, OC,LP	6-pin MS PU,PP, OC,LP	9-pin D-sub
Com	Black	3	7	F	F	F	A	9
+VDC	Red	1	2	D	D	D	B	1
A	White	4	1	A	A	A	D	2
A'	Brown	--	3	H	C	--	--	3
B	Blue	2	4	B	B	B	E	4
B'	Violet	--	5	I	E	--	--	5
Z	Orange	5	6	C	--	C	C	6
Z'	Yellow	--	8	J	--	--	--	7
Case	Green	--	--	G	G	G	F	8
Shield	Bare*	Case	Case	--	--	--	--	--

*CE : Cable shield (bare wire) is connected to internal case.

†Standard cable is 24 AWG conductors with foil and braid shield.

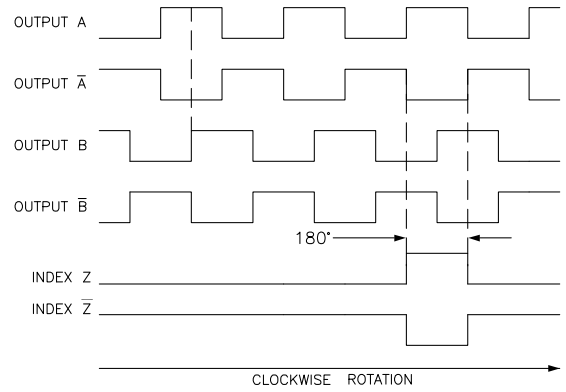
**CE : Shield is connected to connector case unless otherwise specified.

25SP Programmable Encoder Waveform Selections Table



An BEPc Size 25 Encoder in a common application.

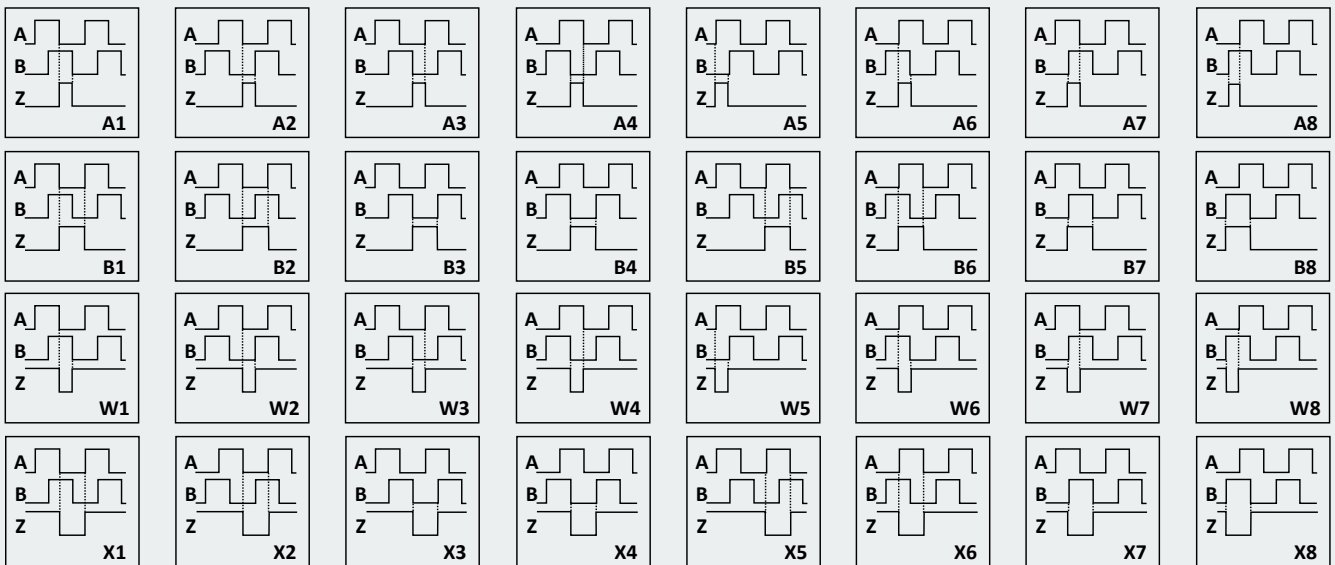
BEPc Standard Waveform (B5)



NOTE: ALL DEGREE REFERENCES ARE ELECTRICAL DEGREES.
NOTE: COMPLEMENTARY SIGNALS (A, B & Z) APPLY TO LINE DRIVER (HV & L5) OUTPUTS ONLY.

WAVEFORMS

Choose any of these waveforms using the Field Programming Software, USB programming module, and interface cable (see previous page)



Odd numbers - A leads B
Even numbers - B leads A

A and B - High Going Index
W and X - Low Going Index

A and W - 90 Degree Index
B and X - 180 Degree Index

Field Programming Software USB Stick and Cables.

FIELD PROGRAMMING SOFTWARE

With the easy to use, point-and-click interface, programming is quick and straight-forward. The number of possible configurations makes this Size 25 programmable shaft encoder incredibly versatile. Anywhere a Size 25 encoder goes, the Model 25SP can get the job done.

✓ **PPR – any resolution from 1 to 65,536**

That's 262,144 counts using 4x quadrature counting

✓ **Waveform – choose from 32 options**

See previous page for waveform choices

✓ **Output type – 6 different output types**

All output types are 5V to 30V in/out except L5 Line Driver and LP Push-Pull output types, which are 5-30Vcc in and 5Vcc out.

Available on USB drive or by download.

System requirements:

Windows 7 or higher operating systems

USB 2.0 port required for USB Programming Module (see below)



USB PROGRAMMING KIT

Kit includes software, USB Programming Module, and 2-meter Interface Cable with specified connector. See Accessories for individual Interface Cables.

CONNECTOR TYPE	ITEM #
6-pin MS	PR1-001-06
7-pin MS	PR1-001-07
10-pin MS	PR1-001-10
5-pin M12	PR1-001-J
8-pin M12	PR1-001-K
9-pin D-Sub	PR1-001-09
Gland Cable	PR1-001-G



For specification assistance call Customer Service at +44 (0)1978 262100



World Headquarters Americas Division

Encoder Products Company
464276 Highway 95
PO Box 249
Sagle, Idaho 83860
USA

Phone: 800.366.5412
208.263.8541
Fax: 208.263.0541
Email: sales@encoder.com
Web: www.encoder.com

Europe Division

British Encoder Products Company
Whitegate Industrial Estate, Unit 33
Wrexham, Clwyd
Wales LL138UG
United Kingdom
Phone: +44.1978.262100
Fax: +44.1978.262101
Email: sales@encoder.co.uk
Web: www.encoder.co.uk



Asia Division

Zhuhai Precision Encoder Co., LTD
RM. 308C, 3/F
Zhongdian Building
No. 1082 JiuZhou Ave.
Ji Da District, Zhuhai City
Guangdong Province, PRC
Phone: +86.756.3363470
Fax: +86.756.3363573
Email: EPC-Asia@163.com
Web: www.asiaencoder.com