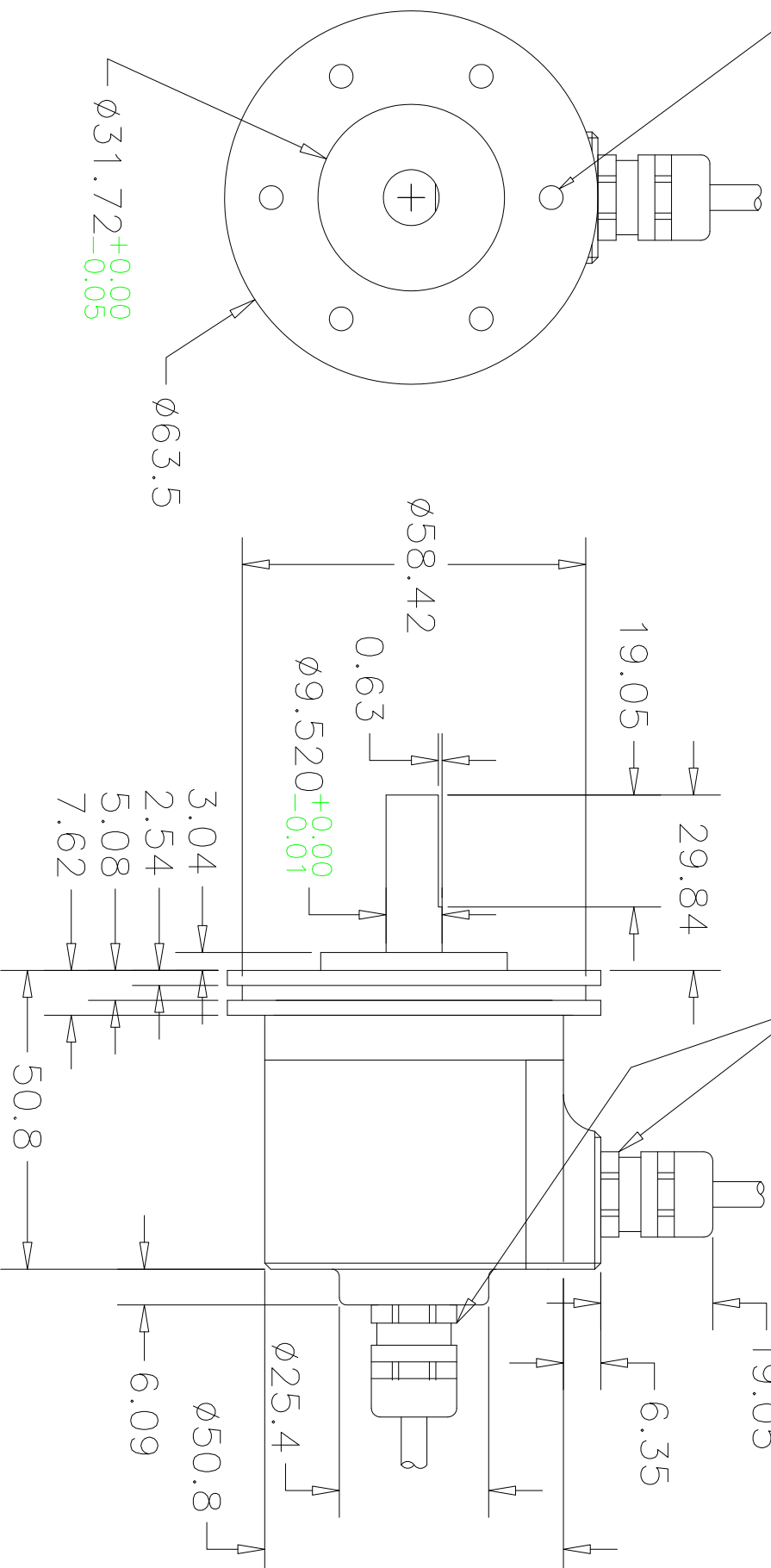


10-32 UNF-2B 5.84 DEEP
 6 X 60° Ø47.62 PCD

SIDE OR END MOUNT
 CONNECTORS AVAILABLE



Drawing Scale - 1.00" = 25.4mm

All Dimensions are in mm, tolerance of +/- 0.127mm or +/-0.254 unless otherwise specified

Sheet 1 of 1



British encoder products
 Unit 33
 Whitegate Industrial estate
 Tel: 01978 262100
 Fax: 01978 262101

DRAWN BY: EPC/BEPC

FULL PROJECT NAME:
 802S Servo Mount (J)

A4 THIRD ANGLE PROJECTION



- REVISION HISTORY -		Date :-
Iss.	Description of latest revision :-	
A	Dimension Drawing for Website	11-9-17