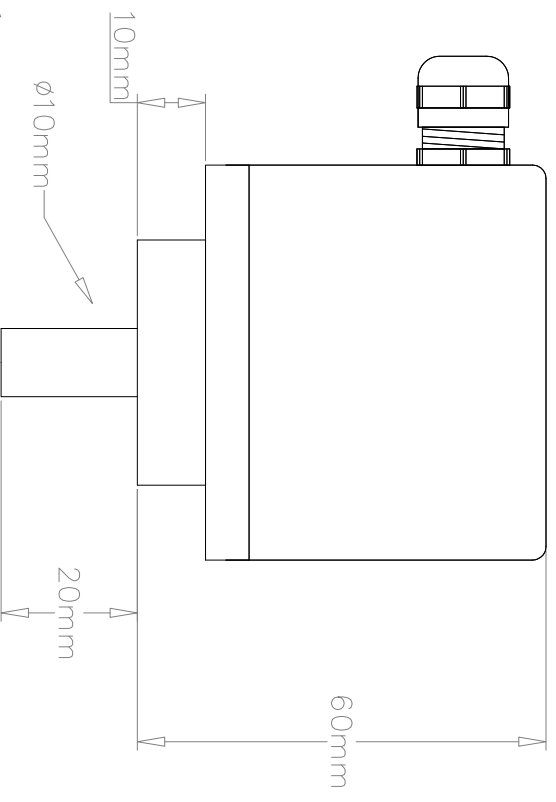
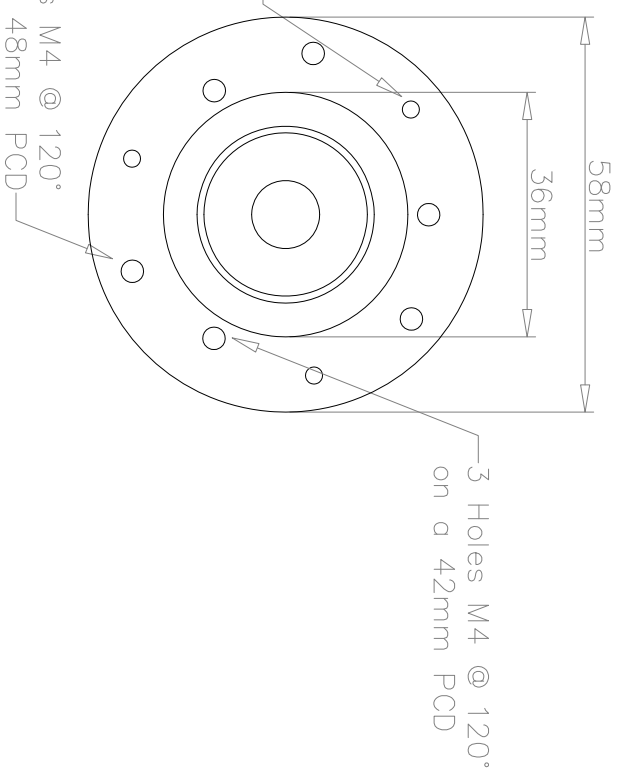


3 Holes M3 @ 120°
on a 48mm PCD

3 Holes M4 @ 120°
on a 48mm PCD



All Dimensions are in mm, tolerance of $\pm 0.127\text{mm}$ or ± 0.254 unless otherwise specified

Sheet 1 of 1



British encoder products
Unit 33
Whitegate industrial estate
Tel: 01978 262100
Fax: 01978 262101

DRAWN BY: EPC/BEPC

FULL PROJECT NAME:
758 Clamping Flange 420

A4 THIRD ANGLE PROJECTION



- REVISION HISTORY -		Date :-
Iss.	Description of latest revision :-	
A	Dimension Drawing for Website	11-9-17