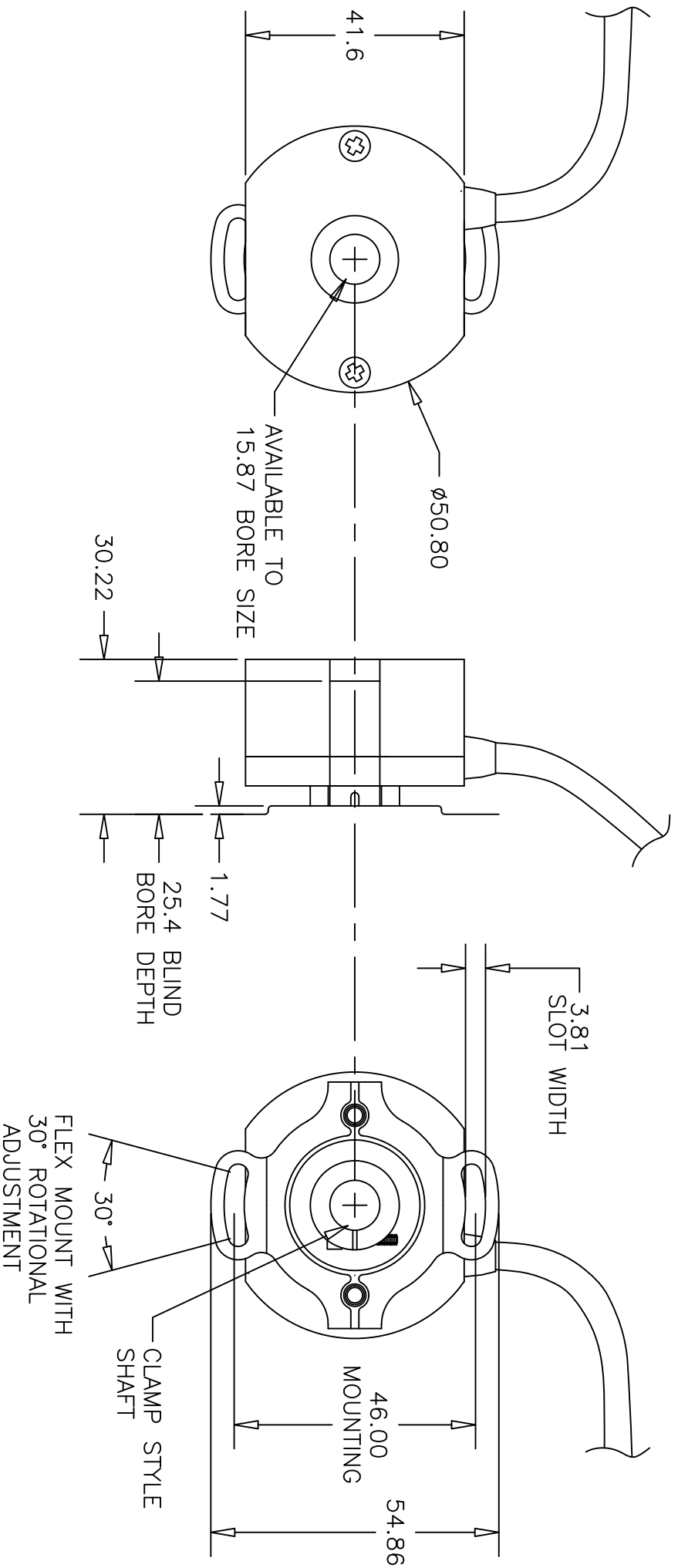


CABLE LENGTH 2M STANDARD



Drawing Scale - 1.00" = 25.4mm

All Dimensions are in mm, tolerance of +/- 0.127mm or +/-0.254 unless otherwise specified

Sheet 1 of 1		British encoder products Unit 33 Whitegate industrial estate Tel: 01978 262100 Fax: 01978 262101	
		DRAWN BY: EPC/BEPC	
FULL PROJECT NAME: 260 Slotted Flex (SF)		A4 THIRD ANGLE PROJECTION	
-		-	
Iss.	Description of latest revision :-	- REVISION HISTORY -	
A	Dimension Drawing for Website	Date :-	11-9-17