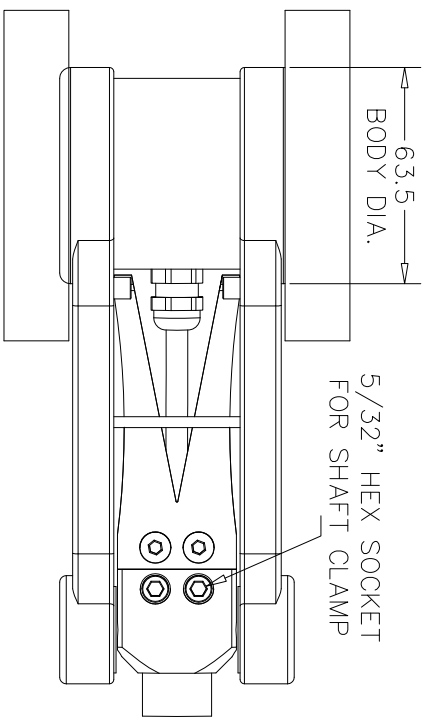
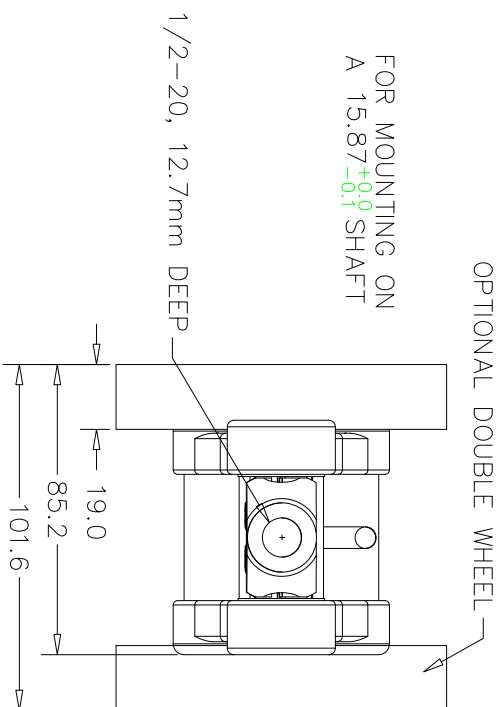
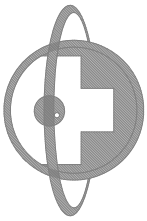


FOR MOUNTING ON
A 15.87^{+0.09}_{-0.1} SHAFT



All Dimensions are in mm, tolerance of ± 0.127 mm or ± 0.254 unless otherwise specified

Sheet 1 of 1



British encoder products
Unit 33
Whitegate industrial estate
Tel: 01978 262100
Fax: 01978 262101

DRAWN BY: EPC/BEPC

FULL PROJECT NAME:
TR3 Heavy Duty Tru-Trac

A4 THIRD ANGLE PROJECTION



— REVISION HISTORY —

Iss.	Description of latest revision :-	Date :-
A	Dimension Drawing for Website	11-9-17