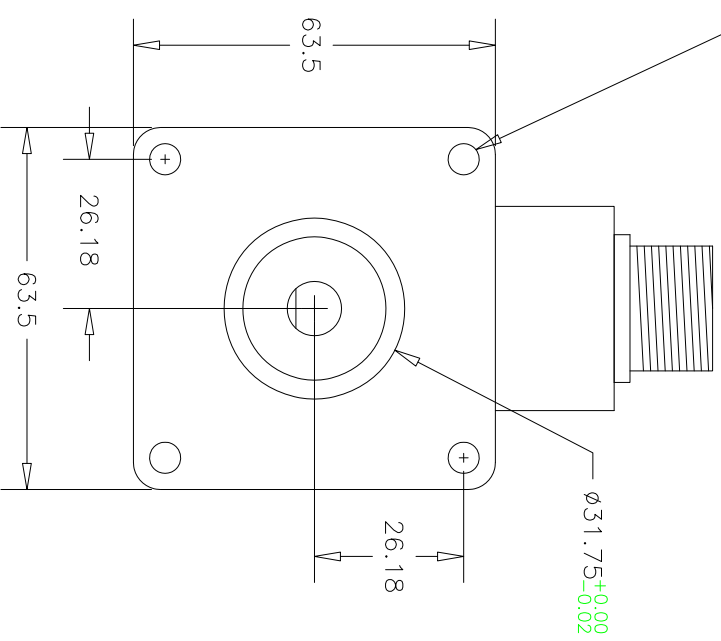
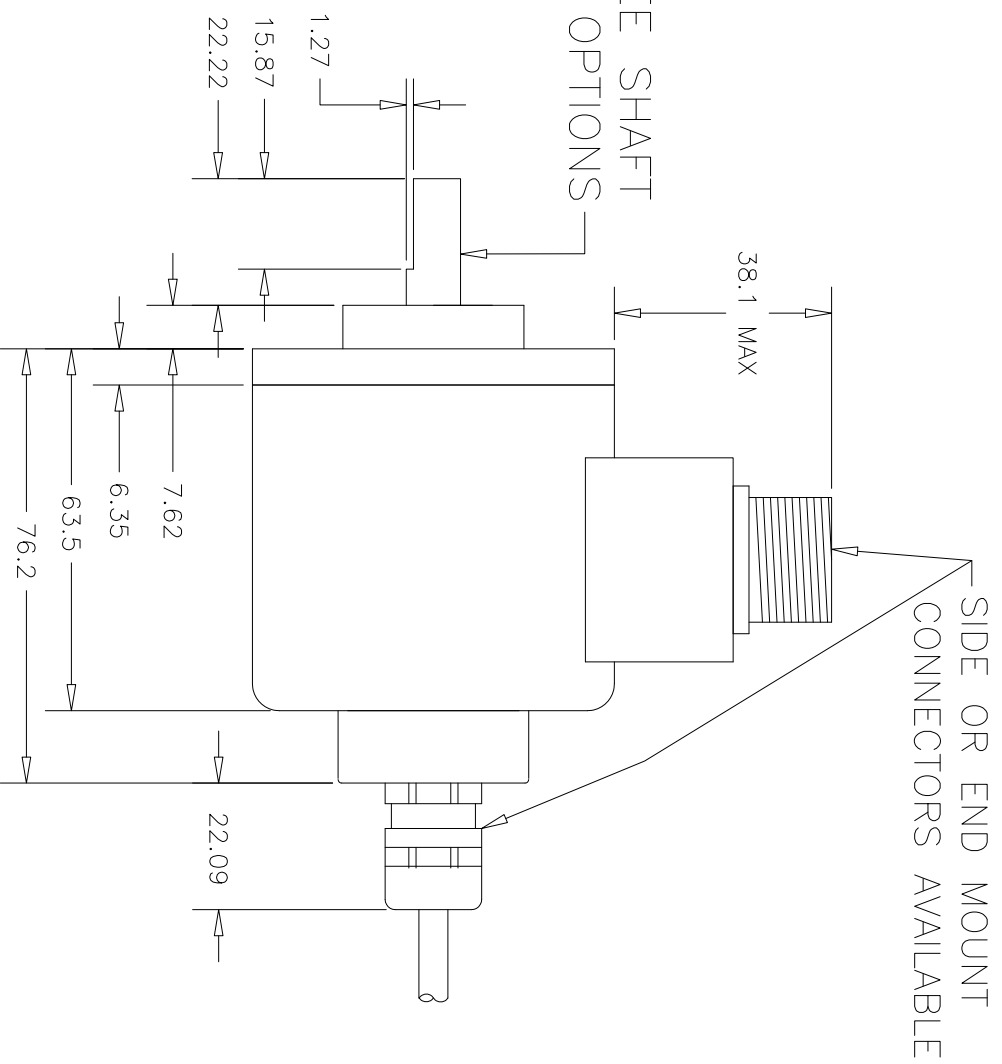


Ø5.58 THRU
4X 90° Ø74.16 PCD



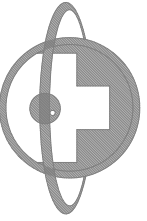
SEE SHAFT
OPTIONS



Drawing Scale - 1.00" = 25.4mm

All Dimensions are in mm, tolerance of +/- 0.127mm or +/-0.254 unless otherwise specified

Sheet 1 of 1



British encoder products
Unit 33
Whitegate industrial estate
Tel: 01978 262100
Fax: 01978 262101

DRAWN BY: EPC/BEPC

FULL PROJECT NAME:
925 Flange Mount (F1)

A4 THIRD ANGLE PROJECTION



— REVISION HISTORY —	
Iss.	Description of latest revision :-
A	Dimension Drawing for Website

Date :-

11-9-17