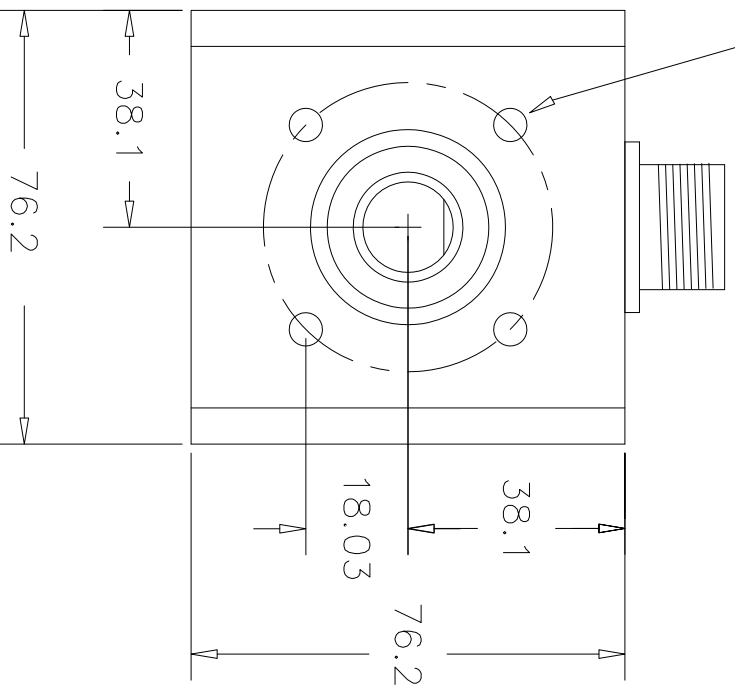
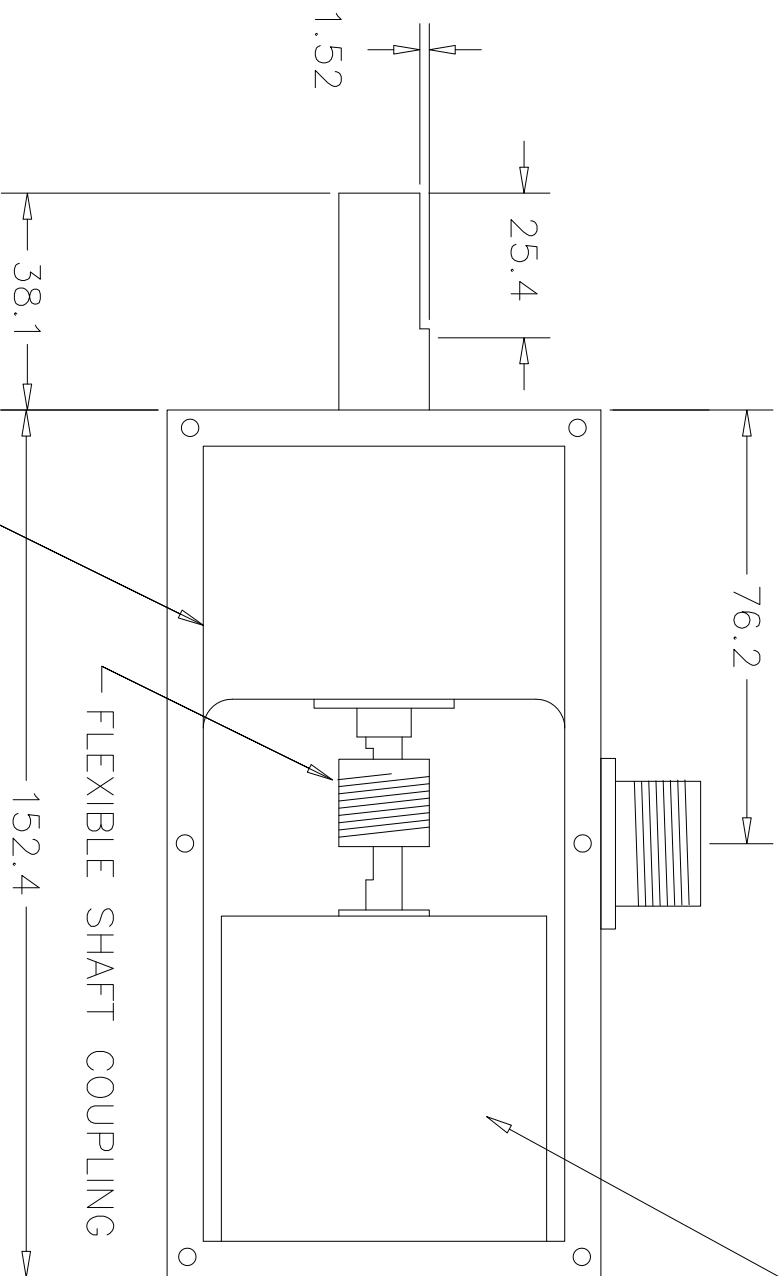


1/4-20 TAP 12.7 DEEP  
4 PLS ON A Ø50.8 PCD



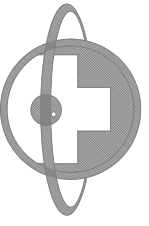
A STANDARD HOUSING ENCODER IS POSITIONED INSIDE HEAVY DUTY HOUSING



Drawing Scale - 1.00" = 25.4mm

All Dimensions are in mm, tolerance of +/- 0.127mm or +/-0.254 unless otherwise specified

Sheet 1 of 1



British encoder products  
Unit 33  
Whitegate industrial estate  
Tel: 01978 262100  
Fax: 01978 262101

DRAWN BY: EPC/BEPC

FULL PROJECT NAME:  
711 & 716 Ultra Heavy Duty Housing

A4 THIRD ANGLE PROJECTION



— REVISION HISTORY —		
Iss.	Description of latest revision :-	Date :-
A	Dimension Drawing for Website	11-9-17