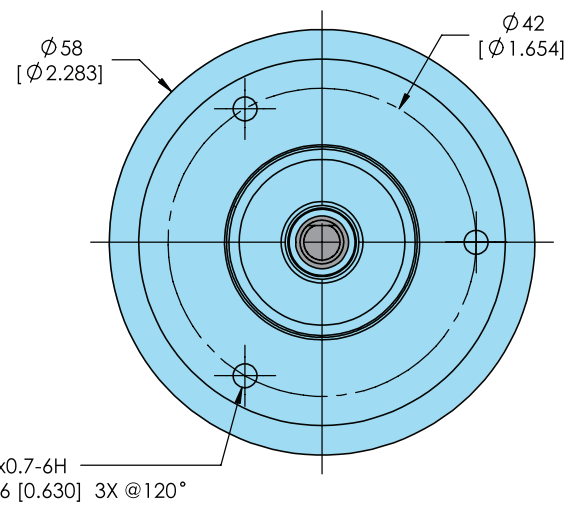
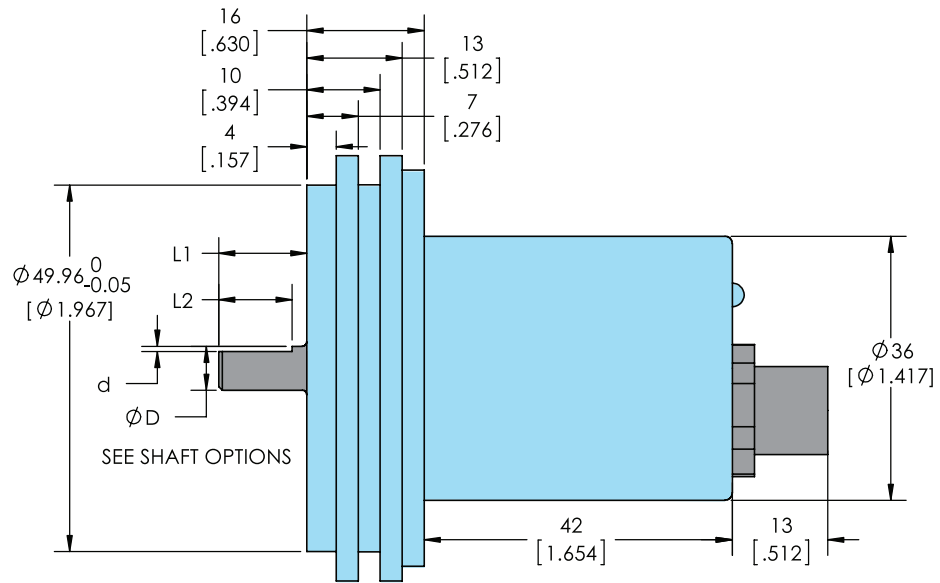


8	7	6	5
SHAFT SIZE	ϕD	L1	d
6mm	6 [0.236]	12 [.472]	0.7 [0.028]
10mm	10 [0.394]	20 [0.787]	no flat

REVISIONS		APPR	DATE
REV. A	INITIAL RELEASE	07938	2/16/2021

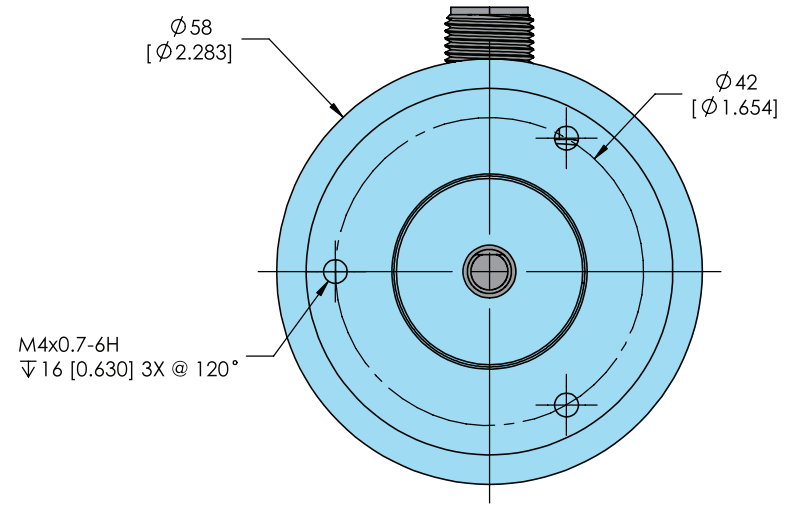
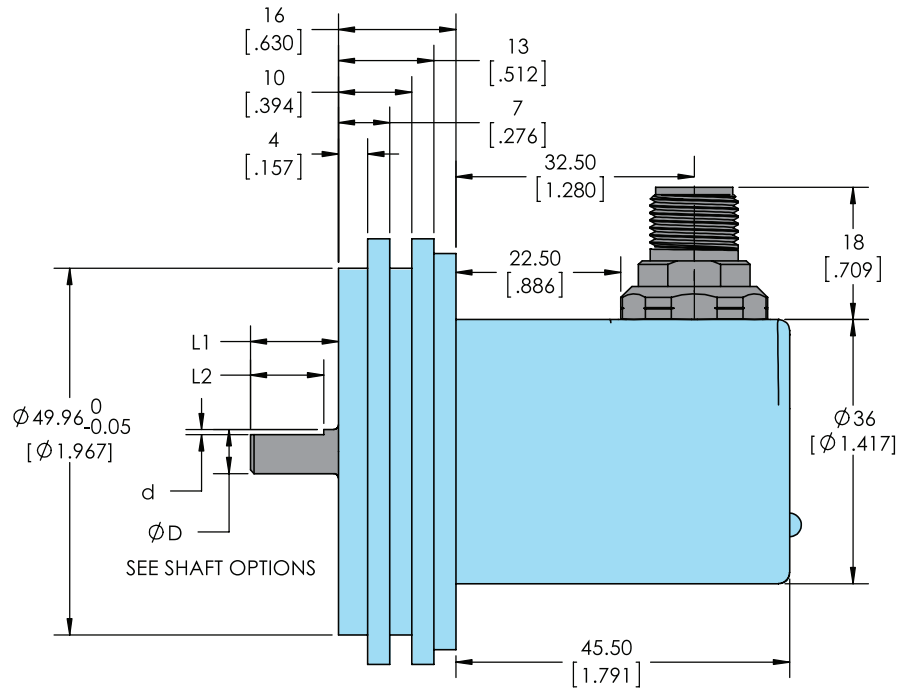


NOTE:
Primary dimensions are in mm, secondary dimensions [inches] in brackets for reference only.

THIRD ANGLE PROJECTION		ENCODER PRODUCTS COMPANY		www.encoder.com	
DIMENSIONS ARE IN mm		APPROVALS	DATE	NAME AND TITLE	
ISSUE DATE:	TOLERANCES	DRAWN	CHECKED	A58SB- SYNCHRO FLANGE, AXIAL CONNECTOR	
NEXT ASSEM.	DECIMAL	RESP ENG		DWG. NO.	
PREV. ASSEM.	DECIMAL	MFG ENG		A58SB-MK-AXIAL CONN	
PART NUMBER	ANGULAR	QUAL ENG		SCALE: NONE	REV. A
				DWG. SIZE: B	SHEET 1 OF 1

SHAFT SIZE	ØD	L1	d	L2
6 mm	6 [0.236]	12 [0.472]	0.7 [0.028]	10 [0.394]
10 mm	10 [0.394]	20 [0.787]	no flat	n/a

REVISIONS			
REV.	DESCRIPTION	APPR	DATE
A	INITIAL RELEASE	07938	2/16/2021
B	HOUSING DESIGN CHANGE	08065	4/26/2021



NOTE:
Primary dimensions are in mm, secondary dimensions [inches] in brackets for reference only.

THIRD ANGLE PROJECTION				www.encoder.com	
APPROVALS		DATE		NAME AND TITLE	
DRAWN: M.JH/M.JW		06/16/20		A58SB-SYNCHRO FLANGE, RADIAL CONNECTOR	
DIMENSIONS ARE IN mm		CHECKED:		DWG. NO.	
ISSUE DATE: 2/16/2021		TOLERANCES		A58SB-MK-RADIAL CONN	
NEXT ASSEM.		DECIMAL ± .13		REV. B	
PREV. ASSEM.		DECIMAL ± .3		SCALE: NONE	
PART NUMBER		ANGULAR ± 1		DWG. SIZE: B	
		QUAL ENG		SHEET 1 OF 1	