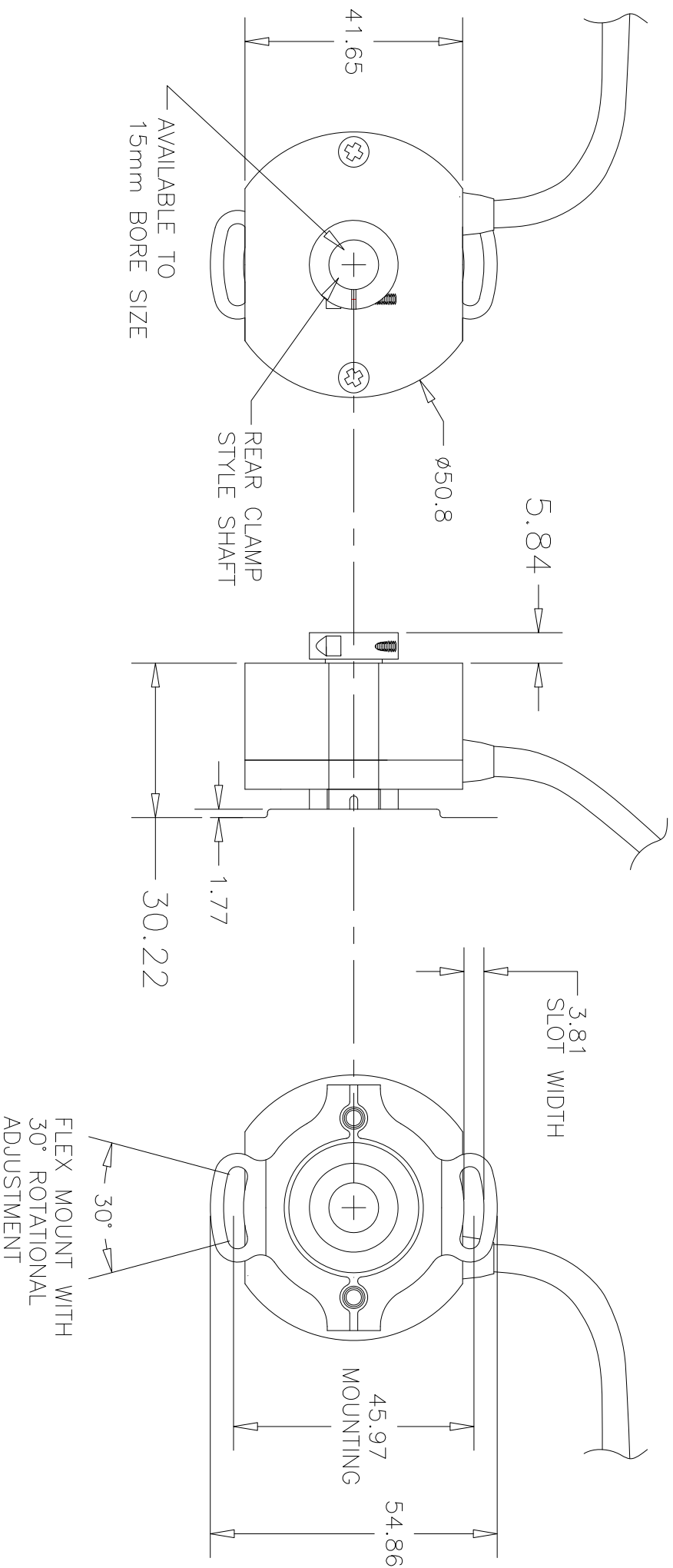


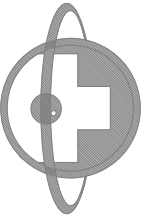
CABLE LENGTH 2M STANDARD



Drawing Scale - 1.00" = 25.4mm

All Dimensions are in mm, tolerance of ± 0.127 mm or ± 0.254 unless otherwise specified

Sheet 1 of 1



British encoder products
Unit 33
Whitegate industrial estate
Tel: 01978 262100
Fax: 01978 262101

DRAWN BY: EPC/BEPC

FULL PROJECT NAME:
260 Rear Clamp Model

A4 THIRD ANGLE PROJECTION



- REVISION HISTORY -	
Iss.	Description of latest revision :-
A	Dimension Drawing for Website
	Date :-
	11-9-17