



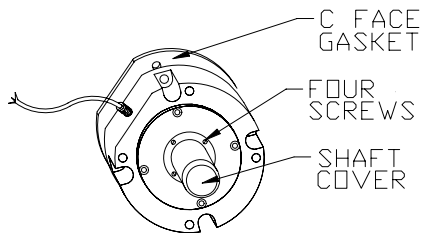
770/865 Mounting Instructions

After carefully unpacking the unit, inspect and ensure that the motor shaft is the correct size and free of all burrs and aberrations.

STEP 1

(This step for housing with cover installed)

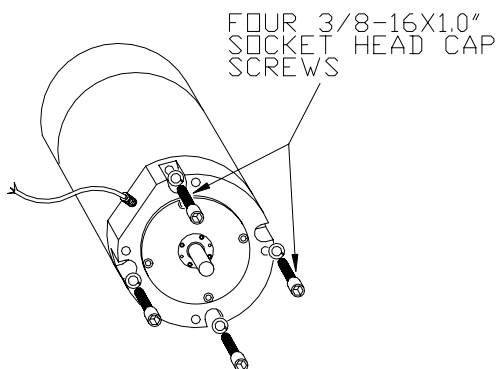
1. Remove the four screws securing the shaft cover.
2. Remove the shaft cover and set aside.
3. If C-face gaskets are being used for sealing, install a gasket on the motor c-face.



STEP 2

CAUTION: Do not tighten the 4-40 Allen head screws in the shaft locking collar when the encoder is not installed on a shaft or the clamping collar could be damaged.

1. Slide the encoder over the motor shaft. **DO NOT USE UNDUE FORCE:** There may be a rubber O-ring in the locking collar which will provide a small amount of resistance as it engages the motor shaft. If the encoder does not slide on easily, SEE NOTE 1 BELOW.
2. Install the four 3/8" - 16 x 1.0" socket head cap screws with locking washers through the holes in the encoder C-face and tighten securely to the motor.

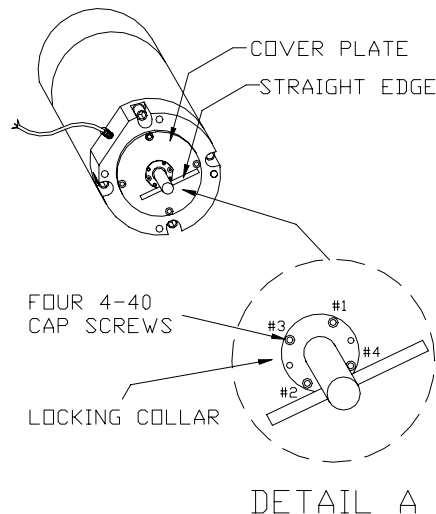


STEP 3

Position a straight edge across the front of the encoder cover plate and shaft locking collar. Make sure the surface of the shaft locking collar is flush with the surface of the encoder cover plate. This is important because it positions the encoder's internal flex plate in the center position so it can accommodate the motors axial endplay in both directions.

STEP 4

1. Prevent the motor shaft from turning (See NOTE 2 for additional information) and tighten the four 4-40 socket head cap screws in the locking collar evenly in any crossing pattern such as 1 to 2 and 3 to 4 (See DETAIL A).
2. Make sure the screws are securely tightened and the front of the locking collar remains flush with the encoder cover plate.
3. If the collar does not turn true when the motor is rotated, loosen the four 4-40 screws and repeat the procedure.



STEP 5

If you have a housing with shaft cover, then install the shaft cover with the four screws.

NOTE 1: Make sure the 4-40 socket head screws in the front of the encoder locking collar (same side as the metal cover plate) are loose and the collar is not cocked or jammed. Clean the shaft of any burrs using fine crocus cloth. (see back of page...)



BRITISH
ENCODER
PRODUCTS COMPANY



770/865 Mounting Instructions

(continued from front page...)

The O-ring in the encoder locking collar may need a small amount of additional lubrication

NOTE 2: When tightening the screws in the locking collar, avoid holding the motor shaft with anything that may scar or burr the shaft. Installing temporary screws in the two tapped 4-40 holes in the shaft locking collar may help position the collar axially on the shaft and provide a means to keep the shaft from rotating while the four locking collar screws are tightened.

REMOVAL

1. If you have a housing with shaft cover, remove the four screws holding the shaft cover and remove the cap.
2. Loosen (do not remove) the four 4-40 socket head screws in the front of the locking collar. Then remove the 3/8" x 16 screws securing the encoder to the motor and slide the encoder off.

If you have questions regarding this Technical Bulletin, please call Technical Support at +44(0)1978 262100 or email steve.dixon@encoder.co.uk

TB-510.doc, Rev E, 04/18/06, BEPC Version

Technical Bulletin 510

TB510 Page 2 of 2

British Encoder Products Company Tel: +44(0)1978 262100 Fax: +44 (0)1978 262101 www.encoder.co.uk sales@encoder.co.uk