

DR735

Direct Replacement Encoder For Heidenhain* ROD320

**Heidenhain is a trademark of Heidenhain Corporation.
Siemens and Simodrive are trademarks of Siemens AG*



Features:

- Low profile (30.2mm / 1.19") encoder body
- 2 piece construction – "Stay in Place" shaft for easy removal of encoder
- 1000, 1250, 2000, 2500, 3000 and 5000 PPR available*
- Line Driver output
- True flex arm mounting system makes installation easy and allows for insulation and isolation from vibration, extending the life of the encoder
- 17-pin connector at the end of 9" of cable
- Advanced Opto-ASIC technology for superior noise immunity
- Withstands temperatures up to 100° C

Designed as a drop-in replacement for the Heidenhain* ROD320 encoder, BEPC's DR735 meets or exceeds all OEM specifications. The DR735 is designed to provide precision feedback control for Siemens* 1FT Series Simodrive* motors. It features an improved "Stay in Place" tapered shaft, custom flex mount, various different resolutions, 9" of cable, and a 17 pin connector with the correct Heidenhain* pinout. Replacing both the older ROD320.002 and the ROD 320.005 has never been faster, easier, or more economical thanks to the DR735.



EPC Model DR735

ORDER NUMBER PPR :-

DR735-04 1000
DR735-06 1250
DR735-03 2000
DR735-01 2500
DR735-05 3000
DR735-02 5000

*Other PPRs may be available, contact Customer Service.

Contact Customer Service for pricing. Discounts available for volume orders.



ROD320.002



ROD320.005

Encoders shown mounted on Siemens* 1FT Series Simodrive

The Accu-Coder™ Advantage

- Get this encoder **FAST!**
- **Huge savings** in price!
- The accuracy, reliability, and quality that only come from an Accu-Coder™
- Industry Best **3-year** warranty!

ACCU-CODER™
by Encoder Products Company

Don't see the exact encoder you need?

Call +44(0)1978 262100 and our Technical Sales Department will cross-reference your encoder to the correct BEPC model.

DR735

Direct Replacement Encoder For Heidenhain* ROD320

*Heidenhain is a trademark of Heidenhain Corporation.

Siemens and Simodrive are trademarks of Siemens AG

DR735 Specifications

Electrical

- Input Voltage4.75 to 28 VDC (16 VDC Max at 100° C)
- Input Current100 mA max with no output load
- Output Format.....Incremental- Two square waves in quadrature with channel A leading B for clockwise shaft rotation, as viewed from the mounting face.
See *Waveform Diagram* below.
- Output Types.....Line Driver- 20 mA max per channel (Meets RS 422 at 5 VDC supply)
- Freq. Response.....200 kHz standard
- Noise Immunity.....Tested to BS EN61000-6-2; BS EN50081-2; BS EN61000-4-2; BS EN61000-4-3; BS EN61000-4-6, BS EN55011
- Symmetry180° (±18°) electrical
- Quad. Phasing.....90° (±22.5°) electrical
- Min. Edge Sep.....67.5° electrical
- Accuracy.....Within 0.01° mechanical from one cycle to any other cycle, or 0.6 arc minutes

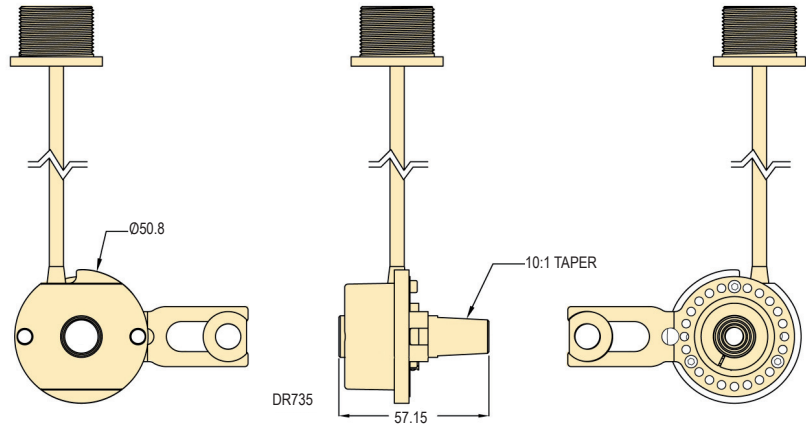
Mechanical

- Max Shaft Speed...7500 RPM
- User Shaft Tolerances
 - Radial Runout...0.007" max
 - Axial Endplay±0.030" max
- Starting Torque.....0.50 oz-in
- Moment of Inertia...3.9 X 10⁻⁴ oz-in-sec²
- Max Acceleration...1 X 10⁵ rad/sec²
- Electrical Conn.....9" cable (foil and braid shield, 24 AWG conductors) with 17-pin connector
- HousingBlack non-corrosive finish
- Mounting.....Flex Arm Mount standard
- Weight3.5 oz typical

Environmental

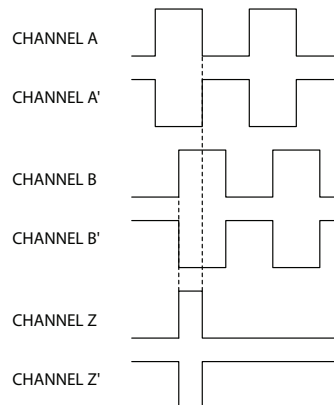
- Operating Temp.....0° to 100°C
- Storage Temp.....-40° to +100° C
- Humidity98% RH non-condensing
- Vibration10 g @ 58 to 500 Hz
- Shock50 g @ 11 ms duration
- SealingIP64

DR735 Dimensions



All dimensions are in mm with a tolerance of ±0.127mm or ±0.254 unless otherwise specified

Waveform Diagram



Wiring Table

PIN	FUNCTION
A	CHANNEL A
B	CHANNEL B
C, J, K	+VDC
D	CHANNEL A'
E	CHANNEL B'
F	CHANNEL Z
G	CHANNEL Z'
H	SHIELD
N, P, T	COMMON
R, S	BRIDGE
L	N/C