

DR011

Direct Replacement Encoder For
BEI EX152

**BRITISH
ENCODER**
PRODUCTS COMPANY



Model DR011

Features:

- High precision 38.1mm (1.50") incremental encoder
- Stainless steel 1/4" OD shaft
- Quadrature A & B channels
- 1000 PPR
- Push-Pull output
- Servo mount encoder with 4-40 x 7.62mm deep mounting holes on a 27.9mm bolt circle
- 457mm cable with strain relief
- IP50 sealing
- Shaft speeds up to 7,500 RPM

The DR011 is the smart direct replacement choice for the BEI EX152 encoder commonly used on postal sorting equipment, baggage systems, and packaging/conveying equipment. This exact replacement has the added benefit of an attached cable, saving a technician time by not having to solder wires to a circuit board. Improved sealing means a longer life with increased protection.

If you need to replace a BEI EX152, save yourself both time and money and order the DR011.

ACCU-CODER™
by Encoder Products Company

The Accu-Coder™ Advantage

- Get this encoder **FAST!**
- **Huge savings** in price!
- The accuracy, reliability, and quality that only come from an Accu-Coder™
- Industry Best **3-year** warranty!



Model BEI EX152

Don't see the exact encoder you need?

Call +44(0)1978 262100 and our Technical Sales Department will cross-reference your encoder to the correct BEPC model.

DR011

Direct Replacement Encoder For
BEI EX152

Model DR011 Specifications

Electrical

Input Voltage..... 4.75 to 28 VCC max for temperatures up to 70° C
 Input Current 100 mA max with no output load
 Input Ripple..... 100 mV peak-to-peak at 0 to 100 kHz
 Output Format..... Incremental – Two square waves in quadrature with channel A leading B for clockwise shaft rotation, as viewed from the encoder mounting face. See Waveform Diagrams below.
 Output Type..... Push-Pull – 20 mA max per channel
 Freq Response 100 kHz
 Noise Immunity..... Tested to BS EN61000-4-2; IEC801-3; BS EN61000-4-4; DDENV 50141; DDENV 50204; BS EN55022 (with European compliance option); BS EN61000-6-2; BS EN50081-2
 Symmetry..... 180° (±18°) electrical at 100 kHz output
 Quad Phasing 90° (±22.5°) electrical at 100 kHz output
 Min Edge Sep..... 67.5° electrical at 100 kHz output
 Rise Time Less than 1 microsecond
 Accuracy 0.017° mechanical (1.0 arc minutes) from one cycle to any other cycle.

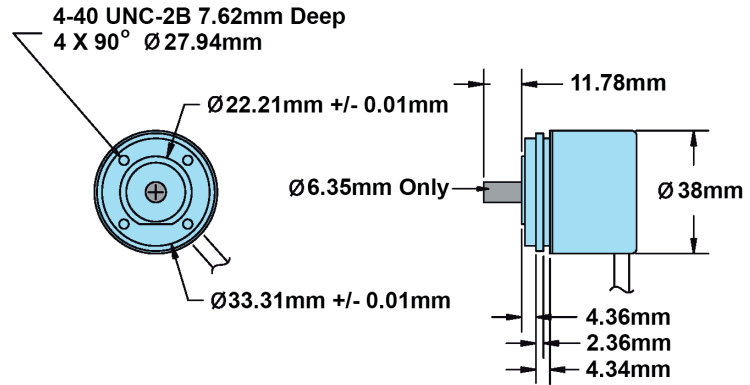
Mechanical

Max Speed..... 7500 RPM. Higher shaft speeds may be achievable, contact Customer Service.
 Shaft Size..... 6.35mm outside diameter
 Shaft Rotation Bi-directional
 Radial Shaft Load 2.26 Kg
 Axial Shaft Load..... 1.36 Kg
 Starting Torque..... 2.507×10^{-2} N-m typical
 2.825×10^{-2} N-m typical for -40° C operation
 Max Acceleration 1×10^5 rad/sec²
 Electrical Conn 2M cable (foil and braid shield, 24 AWG conductors)
 Housing Black non-corrosive finish
 Bearings Precision ABEC ball bearings
 Mounting..... 33.31mm Servo Mounting face; see dimensions
 Weight..... 87.88 grams typical

Environmental

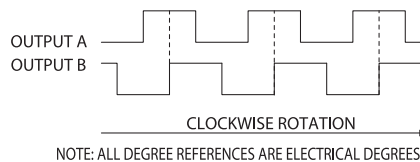
Operating Temp 0° to 70° C
 Storage Temp..... -25° to 85° C
 Humidity 98% RH non-condensing
 Vibration..... 10 g @ 58 to 500 Hz
 Shock..... 50 g @ 11 ms duration

DR011 Dimensions



All dimensions are in mm with a tolerance of ± 0.127 mm or ± 0.254 unless otherwise specified

Waveform Diagram



Wiring Table

| Function | Cable Color |
|----------|-------------|
| COM | Black |
| +VDC | White |
| A | Brown |
| B | Red |
| Shield | Bare |