

# Accessories - Cables & Connectors

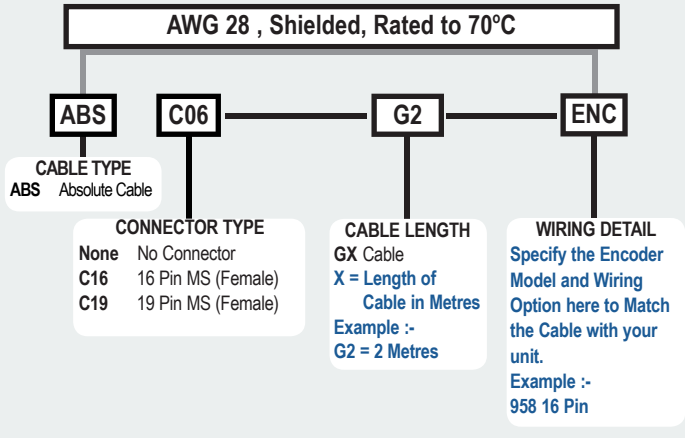
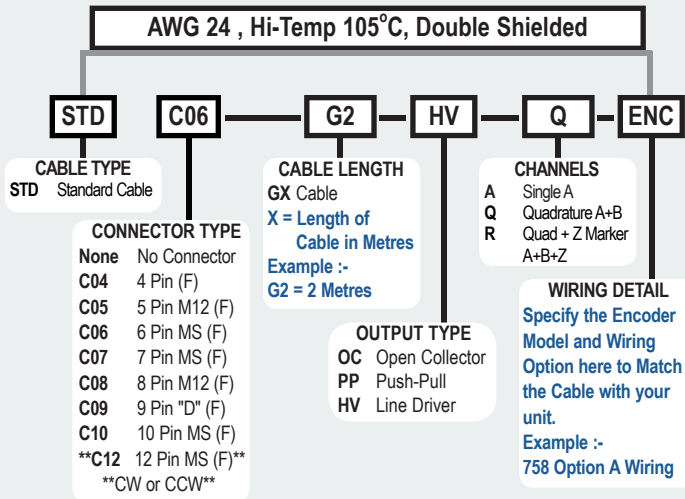
## Cable & Connectors Ordering Guide

Your BEPC encoder is designed to produce a clean, stable and reliable signal in a variety of operating conditions. To ensure that your encoder signal reaches its intended destination—be it a counter, PLC or controller—use genuine BEPC cables and connectors. Our shielded cable and mating connectors have been tested to meet stringent standards for quality and performance. All cable assemblies are assembled in our in-house cable department in accordance with industry best practices.

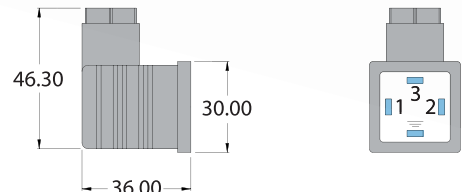
To order just a connector - quote the code in the second box only. Contact Customer Service for details.

\*\*12 Pin Connector available in Clockwise (CW) and Counter-Clockwise (CCW) Configurations.\*\*

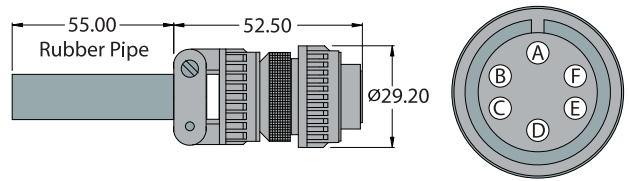
\*\*\*Connector Pin locations shown on this page are looking at External Mating Face\*\*\*



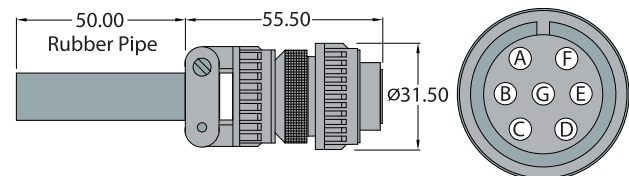
**C04 - 4 Pin Hirschmann Connector & Pins**



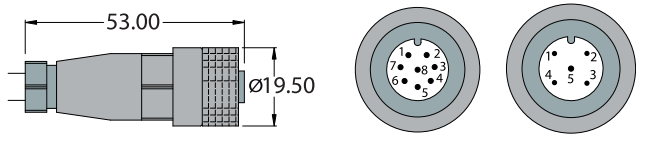
**C06 6 Pin MS Connector & Pins**



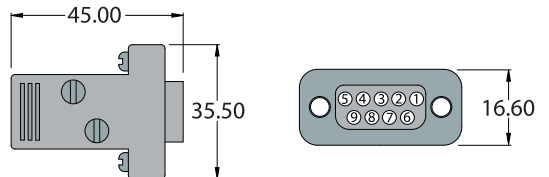
**C07 7 Pin MS Connector & Pins**



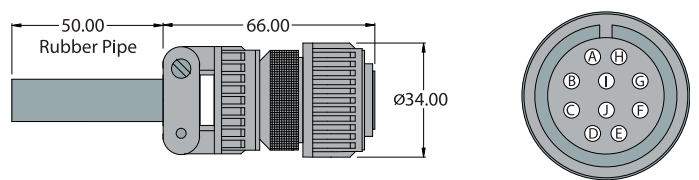
**C08 & C05 8 Pin/5 Pin M12 Connector & Pins**



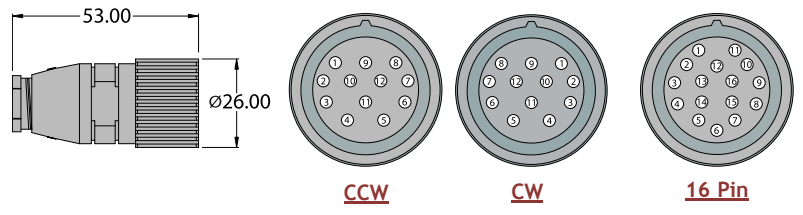
**C09 9 Pin "D" Connector & Pins**



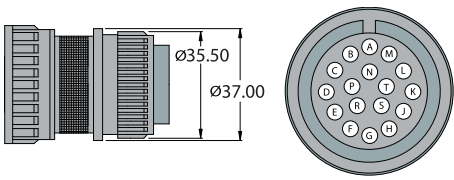
**C10 10 Pin MS Connector & Pins**



**C12 & C16 12/16 Pin MS Connectors & Pins**



**C17 17 Pin MS Connector & Pins**



**C19 19 Pin MS Connector & Pins**

