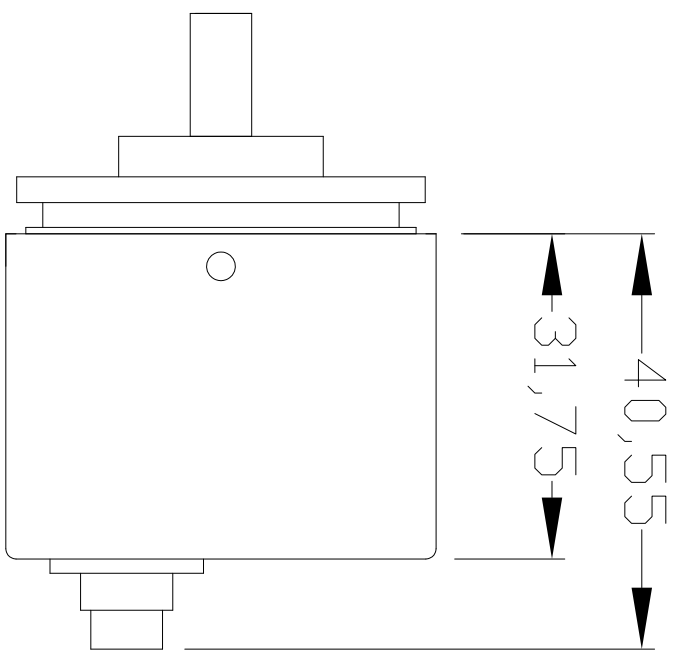
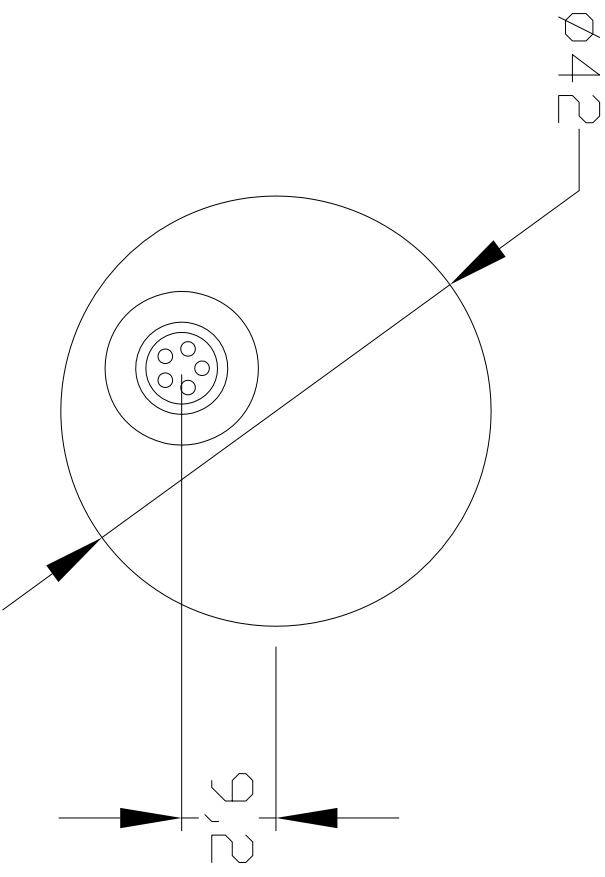




British Encoder Products
 Unit 33
 Whitegate Industrial Estate
 Wrexham
 LL13 8UG
 Tel: +44 (0)1978 262100
 Fax: +44 (0)1978 262101

Drawing NO.: **5E05**
 Full Project Name: **5 Pin Lid for 755**



Tolerances:

Linear Dimensions and Hole Centres $\pm 0.05\text{mm}$
 Drilled Hole $\text{Ø} +0\text{mm} +0.16\text{mm}$
 6.3 Micrometre Finish On Machined Surfaces
 Break All Sharp Edges
 Geometric Tolerance To B.S.308 Part 3

Drawn By:

Lee Edwards

Original Date:

21-7-05

Checked By 1:

P. Teire

Issued Date:

21-7-05

Checked By 2:

D. Breese

Modified By:

XXXXXXXXXX

A4 Third Angle Projection

- REVISION HISTORY -

DESCRIPTION OF LATEST REVISION

ISS.	DESCRIPTION OF LATEST REVISION	DATE
-	New Drawing	19-9-17