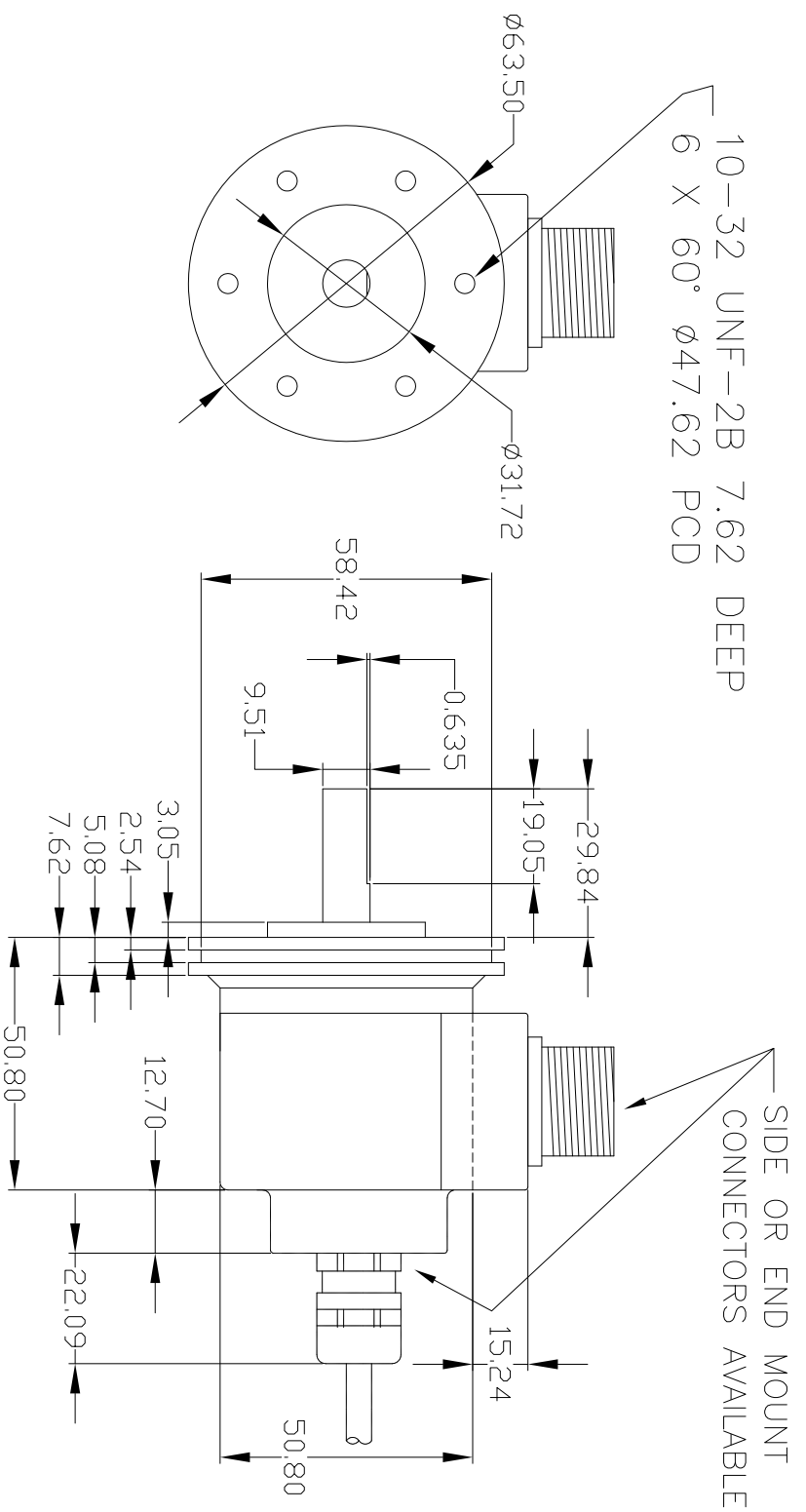
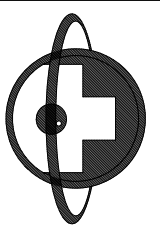


10-32 UNF-2B 7.62 DEEP  
 6 X 60° Ø47.62 PCD



All Dimensions are in mm, tolerance of +/- 0.127mm or +/-0.254 unless otherwise specified

Sheet 1 of 1

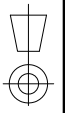


British encoder products  
 Unit 33  
 Whitegate Industrial estate  
 Tei: 01978 262100  
 Fax: 01978 262101

DRAWN BY: EPC/BEPC

FULL PROJECT NAME:  
 702 Servo Mount (JS)

A4 THIRD ANGLE PROJECTION



- REVISION HISTORY -		Date :-
Iss	Description of latest revision :-	
A	Dimension Drawing	11-9-17