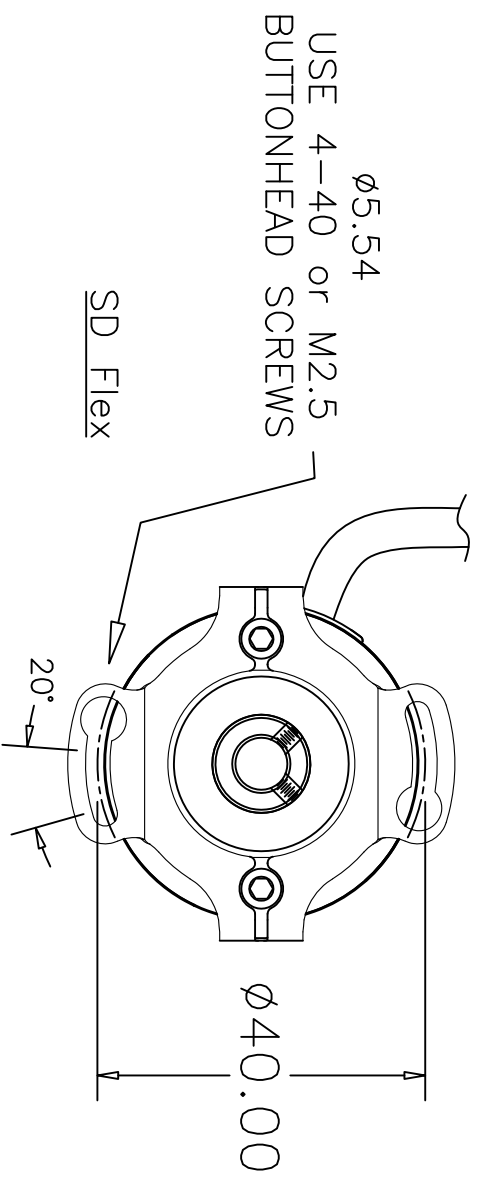


ROTATIONAL ADJUSTMENT

ROTATIONAL ADJUSTMENT



ROTATIONAL ADJUSTMENT

Drawing Scale - 1.00" = 25.4mm

All Dimensions are in mm, tolerance of +/- 0.127mm or +/-0.254 unless otherwise specified

Sheet 1 of 1



British encoder products
 Unit 33
 Whitegate Industrial estate
 Tel: 01978 262100
 Fax: 01978 262101

DRAWN BY: EPC/BEPC

FULL PROJECT NAME:
 15T SB, SC, SD Flexmounts

A4 THIRD ANGLE PROJECTION



— REVISION HISTORY —

Iss.	Description of latest revision :-	Date :-
A	Dimension Drawing for Website	11-9-17