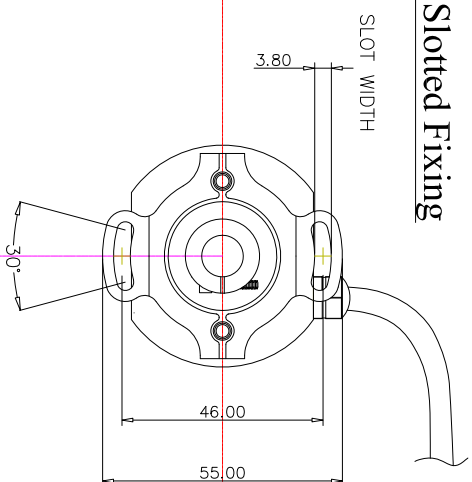
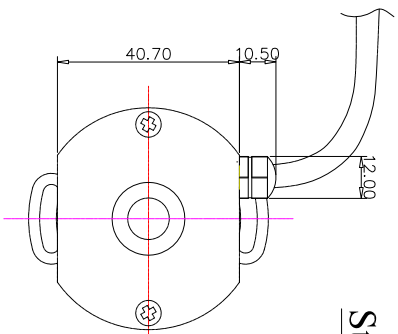
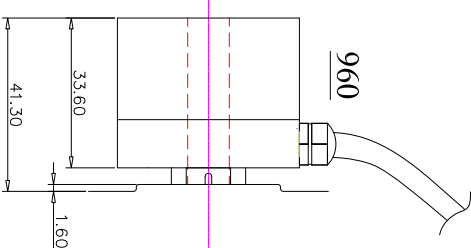
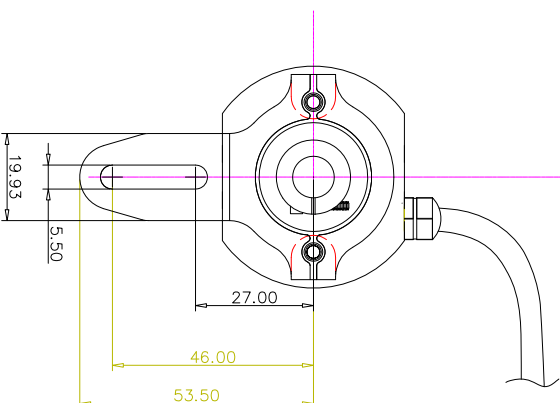
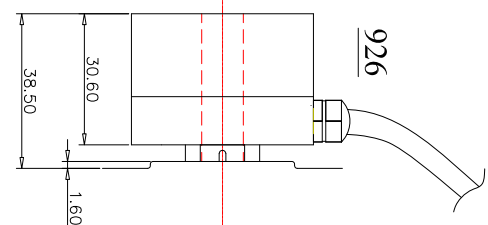


### Standard Slotted Fixing



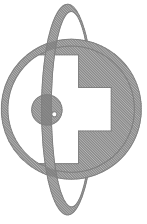
FLEX MOUNT WITH  
30° ROTATIONAL  
ADJUSTMENT



### Adjustable Radius Fixing

All Dimensions are in mm, tolerance of  $\pm 0.127$ mm or  $\pm 0.254$  unless otherwise specified

Sheet 1 of 1



British encoder products  
Unit 33  
Whitegate industrial estate  
Tel: 01978 262100  
Fax: 01978 262101

DRAWN BY: EPC/BEPG

FULL PROJECT NAME:  
Model 960 Slotted and Adjustable Flex

A4 THIRD ANGLE PROJECTION



— REVISION HISTORY —

Iss.	Description of latest revision :-	Date :-
A	Dimension Drawing for Website	11-9-17