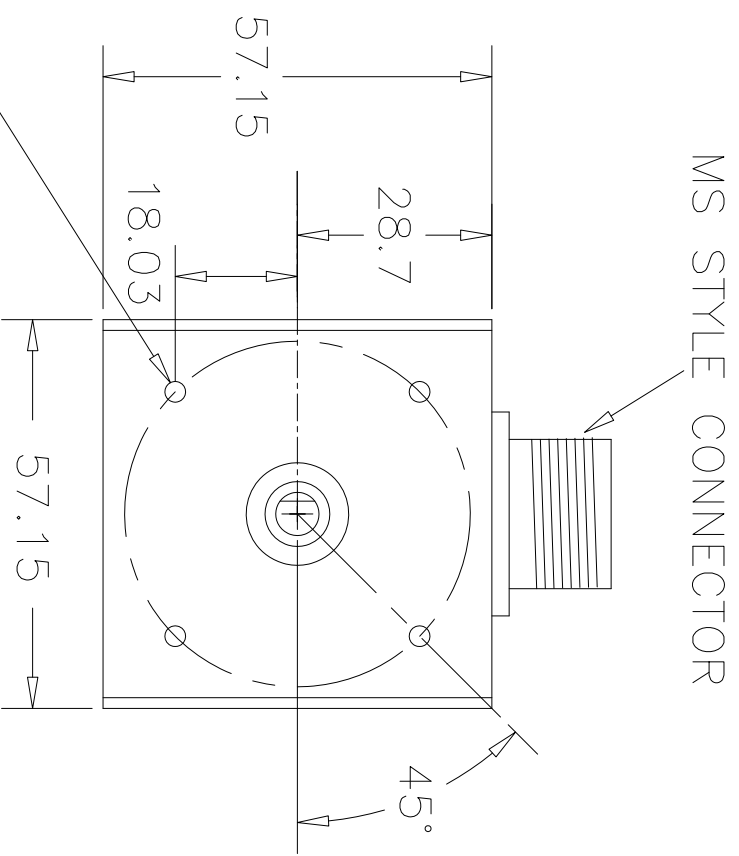


Drawing Scale - 1.00" = 25.4mm

All Dimensions are in mm, tolerance of  $\pm 0.127$ mm or  $\pm 0.254$  unless otherwise specified



6-32 UNC-2B 7.92 DEEP  
 4X 90°  $\phi 50.8$  PCD.  
 SAME MOUNTING HOLE PATTERN  
 IS ALSO PROVIDED ON THE  
 OPPOSITE END AND BASE

Sheet 1 of 1



British encoder products  
 Unit 33  
 Whitegate industrial estate  
 Tel: 01978 262100  
 Fax: 01978 262101

DRAWN BY: EPC/BEPC

FULL PROJECT NAME:  
 711 & 716 Standard Housing

A4 THIRD ANGLE PROJECTION



— REVISION HISTORY —

Iss.	Description of latest revision :-	Date :-
A	Dimension Drawing for Website	11-9-17