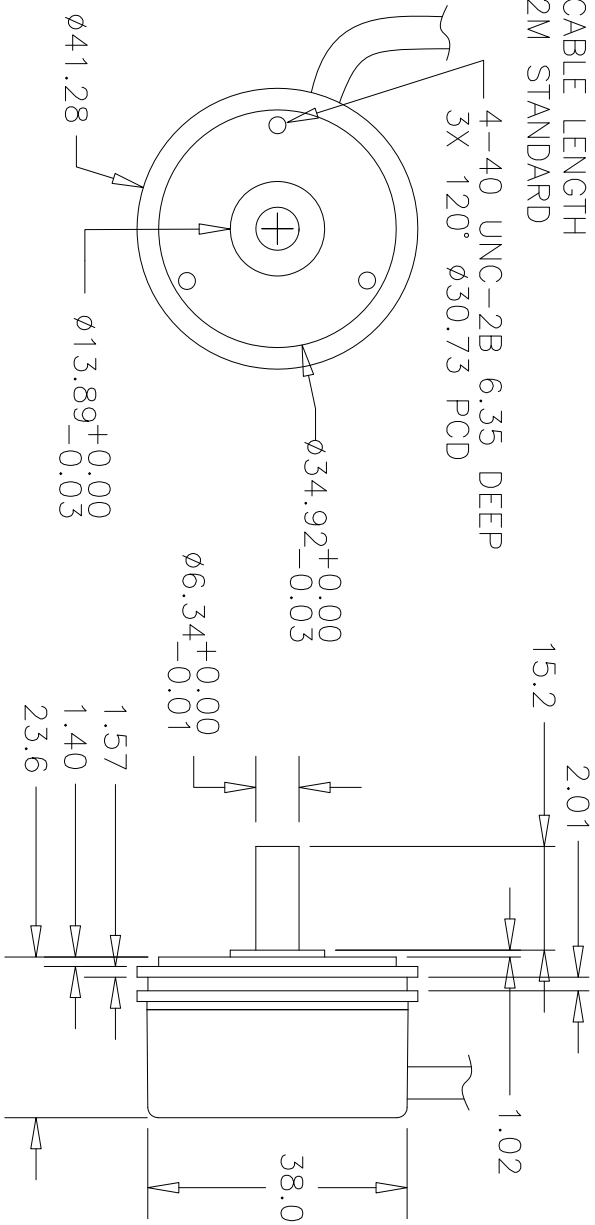


CABLE LENGTH  
2M STANDARD

4-40 UNC-2B 6.35 DEEP  
3X 120° Ø30.73 PCD



Drawing Scale - 1.00" = 25.4mm

All Dimensions are in mm, tolerance of  $\pm 0.127$ mm or  $\pm 0.254$  unless otherwise specified

Sheet 1 of 1



British encoder products  
Unit 33  
Whitegate industrial estate  
Tel: 01978 262100  
Fax: 01978 262101

DRAWN BY: EPC/BEPC

FULL PROJECT NAME:  
15S M2 Body

A4 THIRD ANGLE PROJECTION



— REVISION HISTORY —	
Iss.	Description of latest revision : —
A	Dimension Drawing for Website

Date : —  
11-9-17